

# PCN Product Change Notification

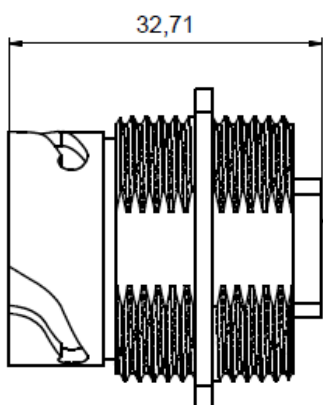


<b>PCN-No.:</b>	Ä19-0015	<b>Date of publication:</b>	25.03.2019
-----------------	----------	-----------------------------	------------

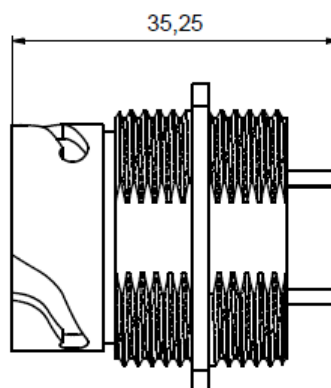
<b>Product:</b>	<b>RJ45 IP67, Cat 6A Inline-Kupplung mit Bajonet Verschluss RJ45 IP67, Cat 6A Receptacle housing with bajonet locking</b>
Product specifications:	N.A.
Description of change:	Die Gesamtlänge verkürzt sich um 2,54 mm. The overall length is shortened by 2,54 mm.
Type of change:	Minor (B) - change Die Änderung hat keinerlei Auswirkungen auf die Anwendung und den Einsatzbereich der Cat 6A Inline-Kupplung. The change has no influence on the application and application range of the Cat 6A receptacle inline-coupling.
Reason of change:	Produkt Vereinheitlichung Product unification
Implementation date:	25.03.2019
Originator:	Jörg Kühle (Leiter F&E IO/Embedded / Manager R&D IO/Embedded)
Customer information:	Im Umlauf befindliche Produkte können uneingeschränkt weiter verwendet werden. Bis alle Module abgeflossen sind, sind Mischlieferungen möglich. Existing products can be used without restrictions. Until all modules have been used, mixed deliveries are possible.

PCN revision history		
Date of revision	No. of revision	Reason
25.03.2019	A	Orginal / Origin

New overall length after change



Overall length before change



# PCN

## Product Change Notification



Part No.	Drawing	Note
17-150004	17K1A255	RJ45 Receptacle Assembly Kit
17-150004E	17K1A255	RJ45 Receptacle Assembly Kit
17-150014	17K1A256	RJ45 Receptacle&Cover Assembly
17-150014E	17K1A256	RJ45 Receptacle&Cover Assembly
17-150124	17K1A257	RJ45 Receptacle Assembly Kit
17-150124E	17K1A257	RJ45 Receptacle Assembly Kit
17-150134	17K1A258	RJ45 Receptacle&Cover Assembly
17-150134E	17K1A258	RJ45 Receptacle&Cover Assembly
17-150144	17K1A259	RJ45 Receptacle Assembly Kit
17-150154	17K1A260	RJ45 Jack Receptacle+Cover
17-150154E	17K1A260	RJ45 Jack Receptacle+Cover
17-150164	17K1A261	RJ45 Jack Receptacle+HEX 32
17-150164E	17K1A261	RJ45 Jack Receptacle+HEX 32
17-150174	17K1A262	RJ45 Jack Receptacle Assembly
17-150174E	17K1A262	RJ45 Jack Receptacle Assembly
17-150184	17K1A263	RJ45 Jack Receptacle & Cover
17-150184E	17K1A263	RJ45 Jack Receptacle & Cover
17-150214	17K1A266	RJ45 Jack Receptacle Assembly
17-150214E	17K1A266	RJ45 Jack Receptacle Assembly
17-160004	17K1A366	RJ45 Jack Recept. Assembly KIT
17-160004E	17K1A366	RJ45 Jack Recept. Assembly KIT
17-160014	17K1A367	RJ45 Jack Recept. Assembly KIT
17-160014E	17K1A367	RJ45 Jack Recept. Assembly KIT
17-501074	17K1A625	Jack Receptacle & Cover Kit