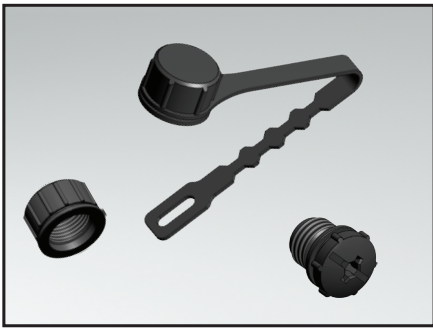
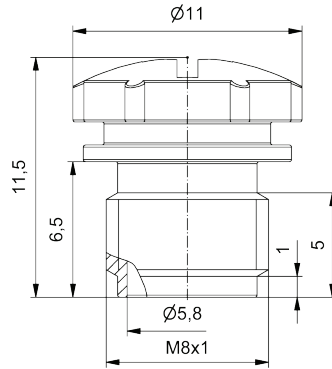


SENSOR ACTOR LINE PROTECTION CAPS

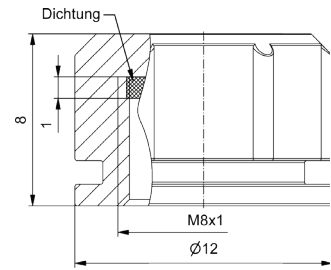
M8x1 Male/Female Connector



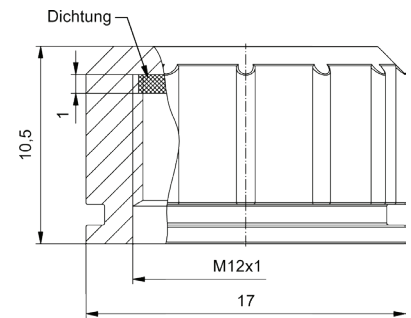
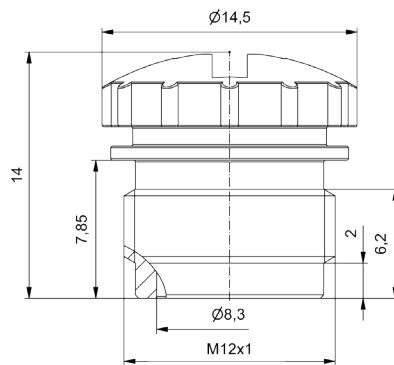
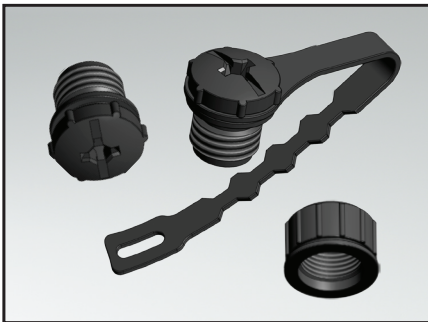
Dimension Female connector



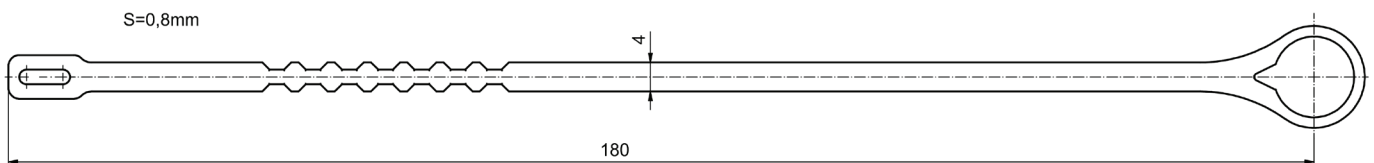
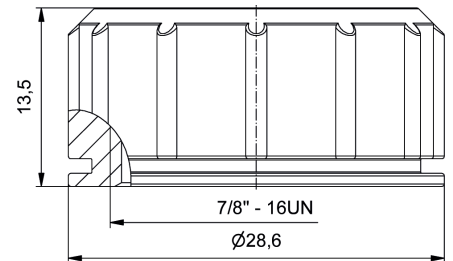
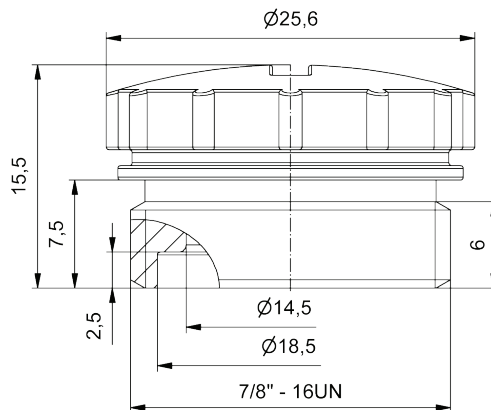
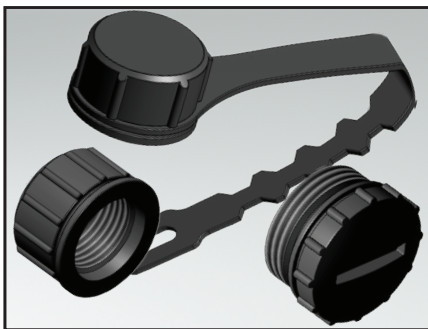
Dimension Male connector



M12x1 Male/Female Connector



7/8" Male/Female Connector



Order Data

Type	Male Connector	Female Connector	Male Connector with loop	Female Connector with loop	Colour*
M8x1	42-11774	42-11772	42-11775	42-11773	black
M12x1	43-16213	43-16211	43-16214	43-16212	black
7/8"	41-01478	41-01476	41-01479	41-01477	black

* additional colours are available on request

Productspecification

	Material
Protection cap	PA GF
Loop	TPU-V
O-Ring	FKM

Temperature range	-30°C up to +85°C
Degree of protection	IP67 in mated condition
Recommended torque Nm	M8: 0,4 ; M12: 0,6 ; 7/8": 0,8

SENSOR ACTOR LINE
PROTECTION CAPS

CONEC[®]

TECHNOLOGY IN CONNECTORS[™]

