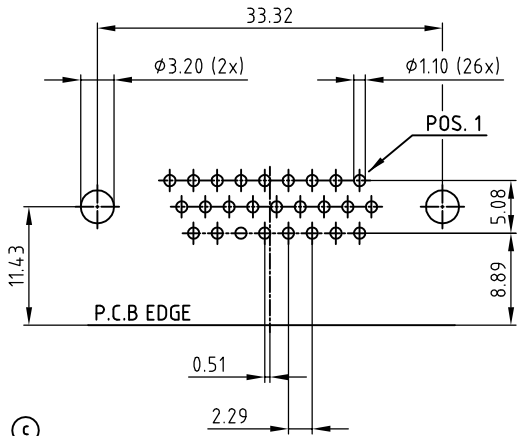
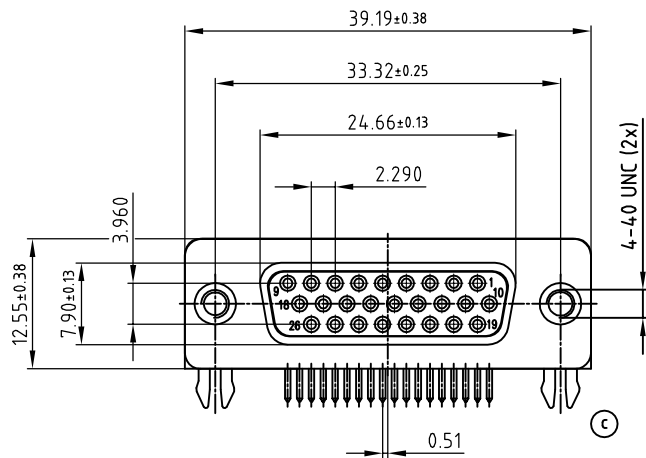
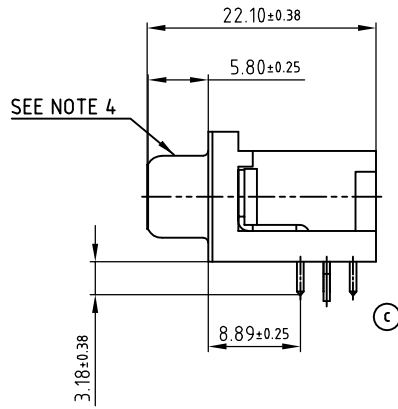
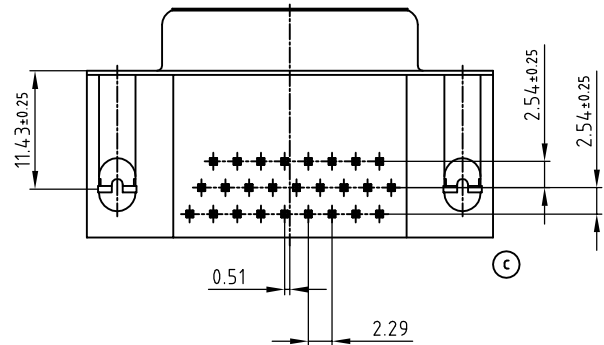


used for: D-SUB HD



RECOMMENDED P.C.B LAYOUT



SPECIFICATIONS

1. D-SUB
- 1.1 Operation Voltage: 250 VAC (RMS) max.
- 1.2 Current Rating: 3 A per Contact
- 1.3 Contact Resistance: 25 mOhm max.
- 1.4 Insulation Resistance: 5000 MOhm min.
- 1.5 Dielectric Withstanding Voltage: 1000 VAC (RMS)
- 1.6 Total Mating Force: 9.7 Kgf max.
- 1.7 Total Unmating Force: 1.4 Kgf min.
- 1.8 Operating Temperature: -55°C to +115°C

NOTES

1. MATERIAL:
Housing: PBT, UL 94V-0, Color: Black
Terminal: Copper Alloy
Shell: Steel
Boardlock: Copper Alloy
Rivet: Copper Alloy
2. FINISH: Gold Plated over Nickel at Contact Area
Tin Plated over Nickel at Solder Area
Shell: Tin Plated
Boardlock: Tin Plated
Rivet: Nickel Plated
3. This Product is LEAD-FREE & RoHS Compliance Product
4. Connector is part marked: DLH2XS8AK53X CONEC ABC

THIS DRAWING MAY NOT BE COPIED OR REPRODUCED IN ANY WAY, AND MAY NOT BE PASSED ON TO A THIRD PARTY, WITHOUT WRITTEN PERMISSION. OWNERSHIP AND COPYRIGHT OF CONEC GMBH DO NOT ALTER CAD DRAWING BY HAND

General tolerance		dim. in mm	
.00	±0.25	0.000	±0.13
drawn	date	name	
25.09.	25.09.	Lehmenkühler	Mickenbecker
appd.	date	name	
norm			
6 x c	Ä 4272	13.04.2012	Lehmen, d-old
2 x b	Ä2896	18.12.2007	Sonne
a	Original		
rev.	description	date	name

scale:	2:1
material:	SEE NOTES
title:	D-SUB HD FEMALE 90° 26pos. with snap-in and clinch nut
dwg no:	16K1A1899
part no:	DLH2XS8AK53X
DIN-A	3
sh:	1/1

Directive 2002/95/EC RoHS compliant

