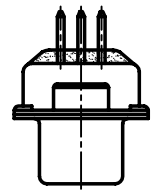
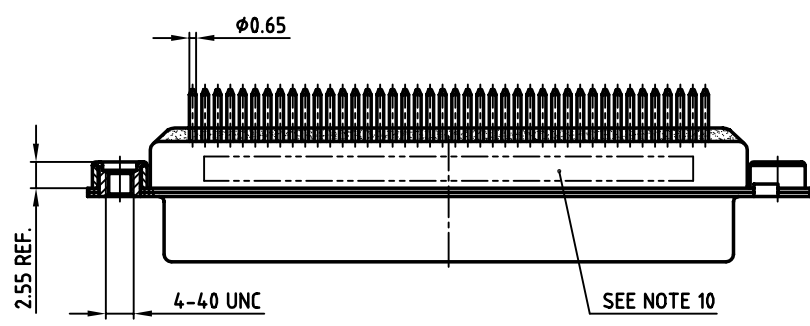
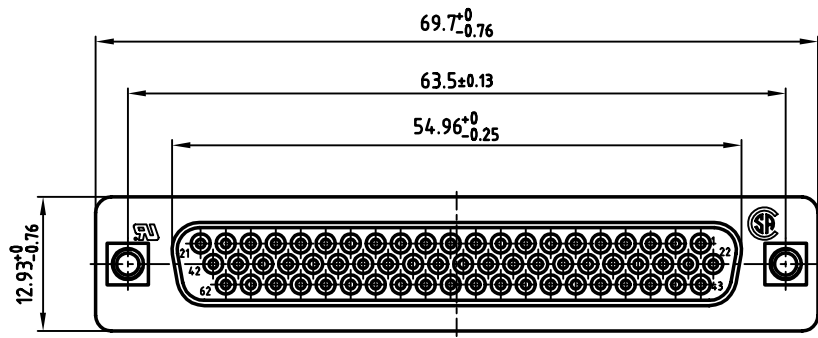
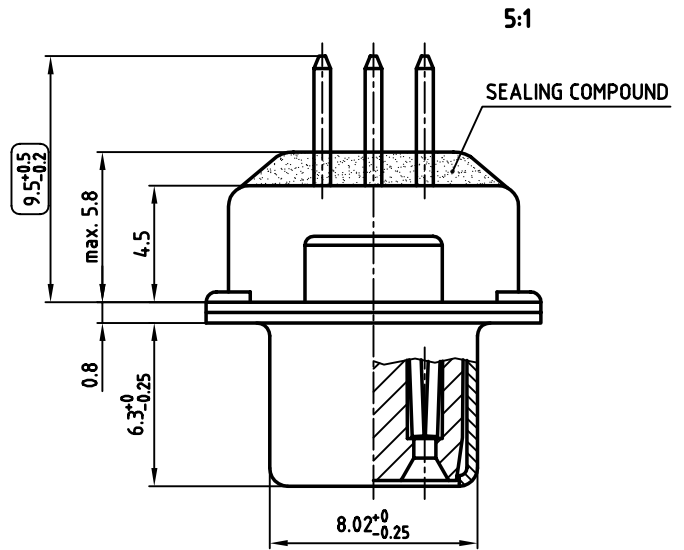


used for: D-SUB HD FILTER



NOTES:

1. METALSHELLS: STEEL; min. 320µ" TIN
2. INSULATORS: PBT GF UL 94 V-0, BLACK
3. CONTACTS: COPPER ALLOY
PLATING: 8µ" HARD GOLD OVER min. 50µ" NICKEL
4. THREADED INSERT: COPPER ALLOY; min. 200µ" TIN over 80µ" NICKEL
5. COLLAR: COPPER ALLOY; min. 200µ" TIN over 80µ" NICKEL
6. P.C.B. HOLE DRILLINGS ON DRAWING NO.: 16V1H6B
7. CAPACITANCE: SEE TABLE
8. DIELECTRIC WITHSTANDING VOLTAGE: 300V DC
9. MAXIMUM TORQUE VALUE FOR THREAD: 6" LBS
10. CONNECTOR IS PART MARKED: PART-NO. CONEC Y/WW
11. = CHECK DIMENSION

CAPACITANCE	PART NO.
180pF ±20%	242A27450X
370pF ±20%	242A18090X
830pF ±20%	242A18130X

APPROVAL * FREIGABE * DEBLOCAGE * AUTORIZACION * APPROVAL

CUSTOMER APPROVAL DATE:

NAME: TITLE:

COMPANY NAME:

APPROVAL * FREIGABE * DEBLOCAGE * AUTORIZACION * APPROVAL

THIS DRAWING MAY NOT BE COPIED OR REPRODUCED IN ANY WAY, AND MAY NOT BE PASSED ON TO A THIRD PARTY, WITHOUT WRITTEN PERMISSION. OWNERSHIP AND COPYRIGHT OF CONEC GmbH DO NOT ALTER CAD DRAWING BY HAND

tolerance		dim. in mm	scale: 2:1 (5:1)															
material: SEE NOTES			material: SEE NOTES															
<table border="1"> <tr><td>2003</td><td>date</td><td>name</td></tr> <tr><td>drawn</td><td>15.09.</td><td>Lehnenkühler</td></tr> <tr><td>appd.</td><td>19.09.</td><td>Mickenbecker</td></tr> <tr><td>norm</td><td colspan="2">DIN 41652</td></tr> <tr><td>d-old</td><td colspan="2"></td></tr> </table>		2003	date	name	drawn	15.09.	Lehnenkühler	appd.	19.09.	Mickenbecker	norm	DIN 41652		d-old			title: D-SUB HD FILTER FEMALE 62pos. SOLDER PIN STRAIGHT with threaded insert	
2003	date	name																
drawn	15.09.	Lehnenkühler																
appd.	19.09.	Mickenbecker																
norm	DIN 41652																	
d-old																		
		dwg no: AutoCAD 2000 DIN-A 24K1A435 3 sh:1/1																
rev. description date name		part no: SEE TABLE																