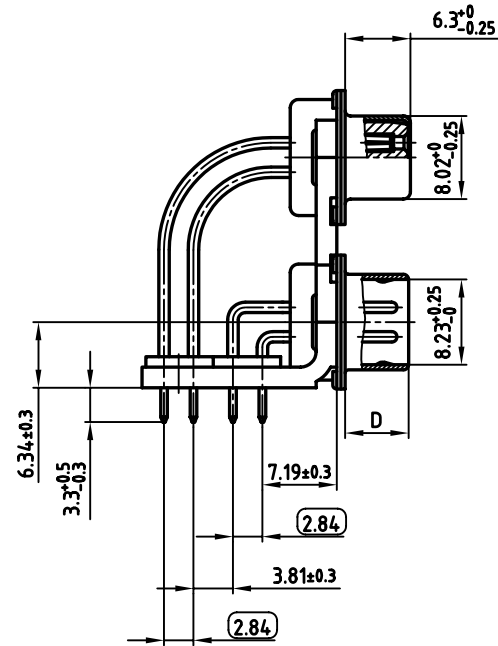
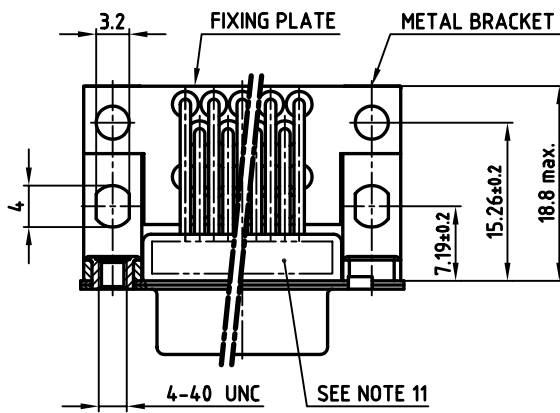
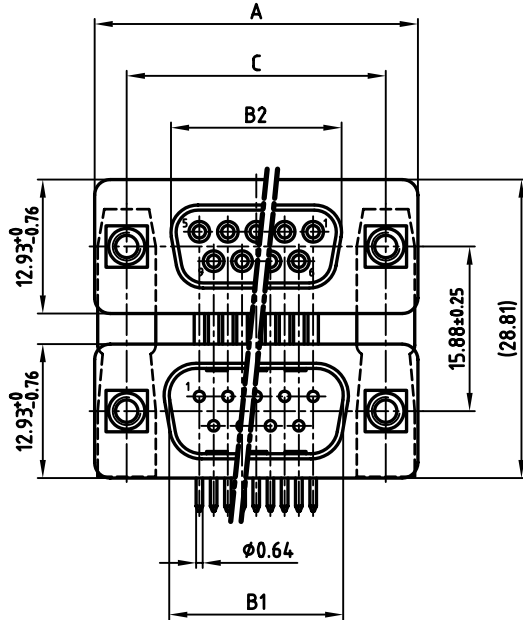


used for: D-SUB FILTER DUAL PORT

POS.	A _{-0.76}	B1 ^{+0.25}	B2 _{-0.25}	C	D _{-0.3}	PART-NO.
2x 9	31.19	16.79	16.46	25.00 ^{+0.12} _{-0.13}	6.12	242A14180X
2x15	39.52	25.12	24.79	33.30 ^{+0.15} _{-0.1}	6.12	242A14190X
2x25	53.42	38.84	38.50	47.04 ^{+0.13}	5.99	242A14200X
2x37	69.70	55.30	54.96	63.50 ^{+0.13}	5.99	242A14210X



NOTES:

- METALSHELLS: STEEL; min. 320µ" TIN
- INSULATORS: PBT GF UL 94 V-0, BLACK
- CONTACTS: COPPER ALLOY
PLATING: 8µ" HARD GOLD OVER min. 50µ" NICKEL
- METAL BRACKET: STEEL; min. 320µ" TIN over 80µ" NICKEL
- THREADED INSERT: COPPER ALLOY; min. 200µ" TIN over 80µ" NICKEL
- FIXING-PLATE: PBT GF UL 94 V-0, BLACK
- P.C.B. HOLE DRILLINGS ON SHEET 2 + 3
- CAPACITANCE: 1300pF ±20%
- DIELECTRIC WITHSTANDING VOLTAGE: 424 VDC
- MAXIMUM TORQUE VALUE FOR THREAD: 6" LBS
- CONNECTOR IS PART MARKED: PART-NO. CONEC ABC
- = CHECK DIMENSION

APPROVAL # FREIGABE # DEBLOCAGE # AUTORIZACION # APPROVAL	
CUSTOMER APPROVAL DATE:	
NAME:	TITLE:
COMPANY NAME:	
APPROVAL # FREIGABE # DEBLOCAGE # AUTORIZACION # APPROVAL	

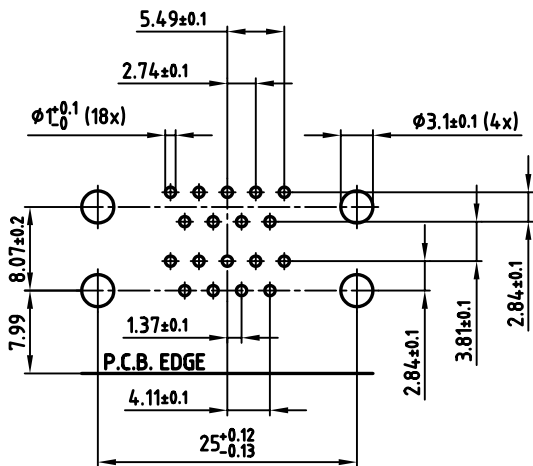
THIS DRAWING MAY NOT BE COPIED OR REPRODUCED IN ANY WAY, AND MAY NOT BE PASSED ON TO A THIRD PARTY, WITHOUT WRITTEN PERMISSION. OWNERSHIP AND COPYRIGHT OF CONEC GmbH DO NOT ALTER CAD DRAWING BY HAND

rev.	description	date	name

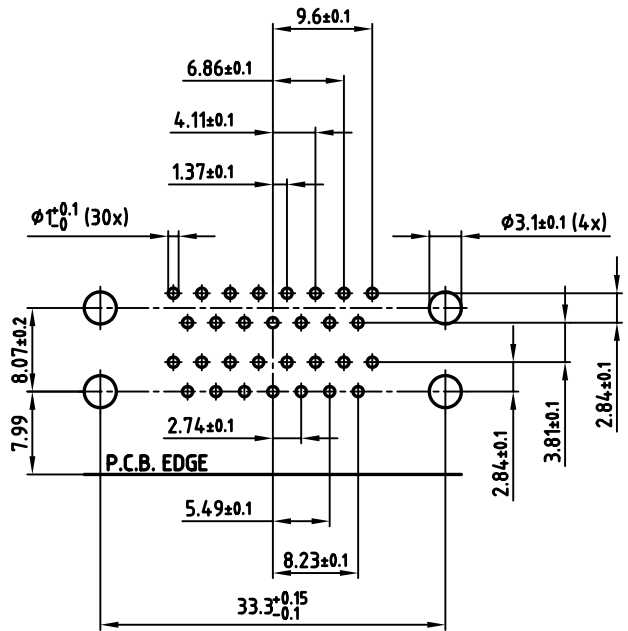
tolerance		scale:	2:1
	dim. in mm	material:	SEE NOTES
2005	date	name	title:
drawn	27.05.	Lehmenkühler	D-SUB FILTER DUAL PORT 15.88mm
appd.	27.05.	Kühle	FEMALE / MALE 2x9pos. - 2x37pos.
norm	DIN 41652		with threaded insert
d-old			dwg no: AutoCAD 2004
			DIN-A
			3
			sh:1/3

dwg no:	AutoCAD 2004
part no:	24K1A648
	SEE TABLE

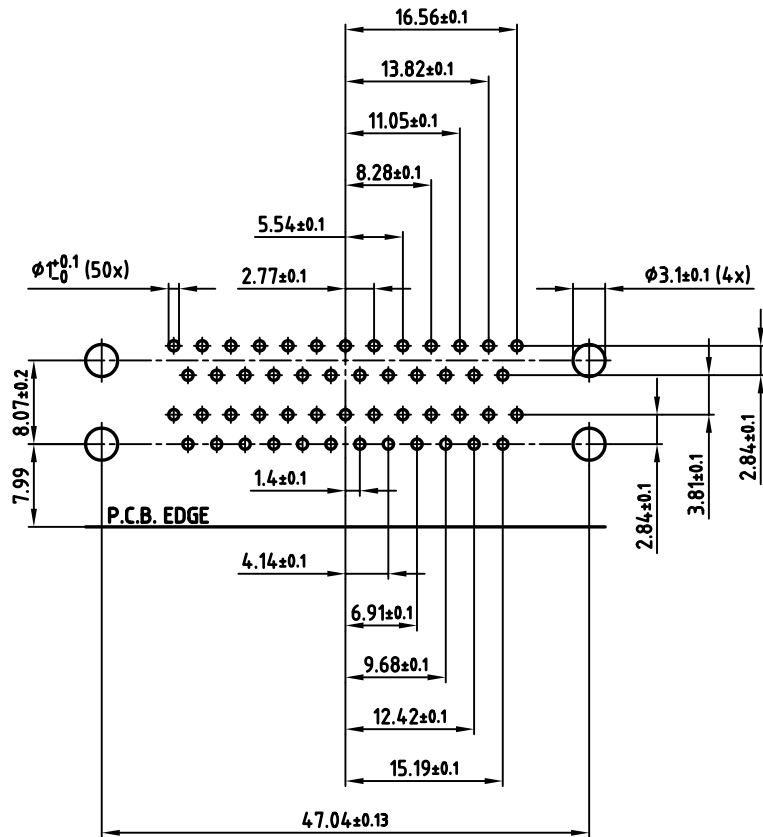
used for: D-SUB FILTER DUAL PORT



2x9pos.



2x15pos.



2x25pos.

APPROVAL # FREIGABE # DEBLOCAGE # AUTORIZACION # APPROVAL

CUSTOMER APPROVAL DATE:

NAME: TITLE:

COMPANY NAME:

APPROVAL # FREIGABE # DEBLOCAGE # AUTORIZACION # APPROVAL

THIS DRAWING MAY NOT BE COPIED OR REPRODUCED IN ANY WAY, AND MAY NOT BE PASSED ON TO A THIRD PARTY, WITHOUT WRITTEN PERMISSION. OWNERSHIP AND COPYRIGHT OF CONEC GmbH DO NOT ALTER CAD DRAWING BY HAND

rev.	description	date	name

tolerance	 dim. in mm	
2005		
drawn	date	name
27.05.	Lehmenkühler	
appd.	27.05.	Kühle
norm	DIN 41652	
d-old		

scale: 2:1

material: SEE SHEET 1

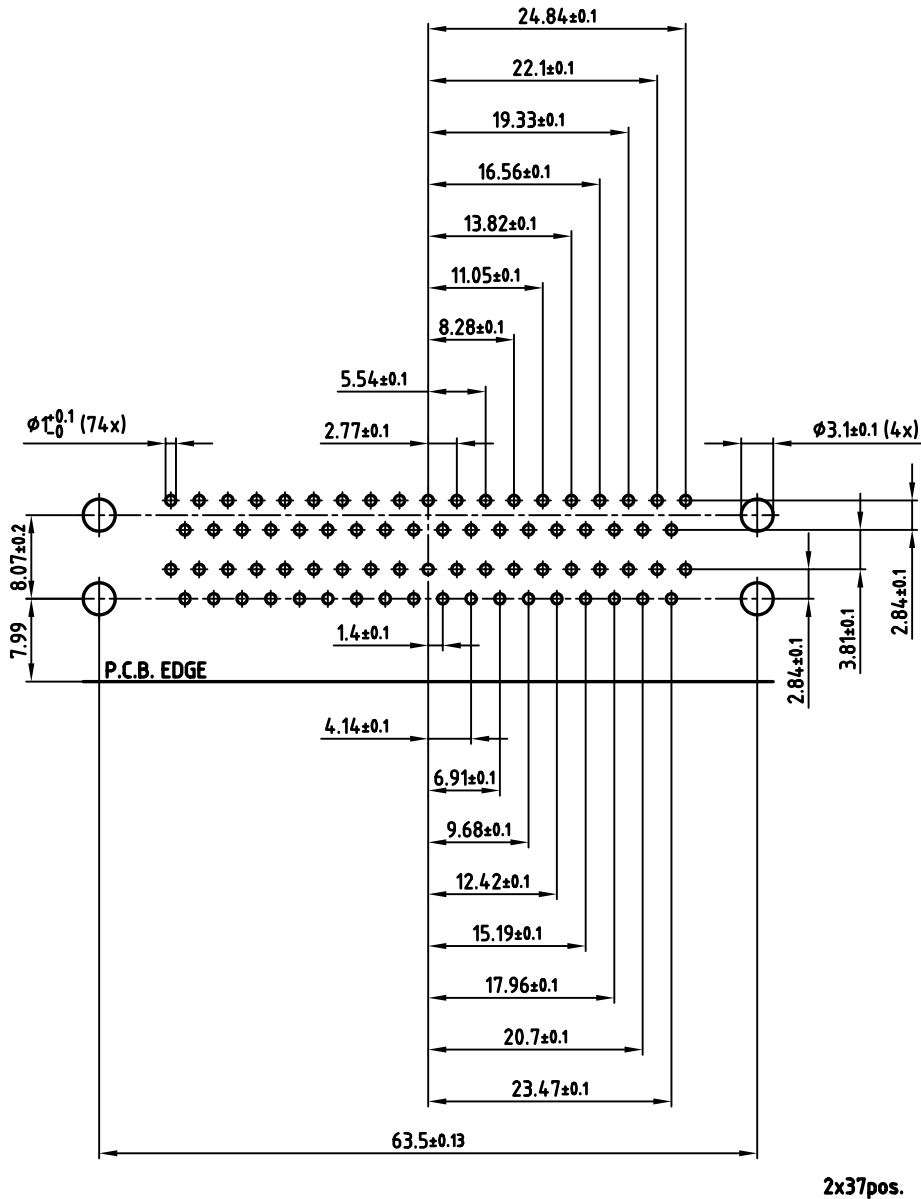
title: P.C.B. HOLE DRILLINGS
D-SUB FILTER DUAL PORT 15.88mm
FEMALE / MALE 2x9pos. - 2x37pos.

dwg no: AutoCAD 2004

part no: SEE SHEET 1

DIN-A 3 sh:2/3

used for: D-SUB FILTER DUAL PORT



2x37pos.

APPROVAL * FREIGABE * DEBLOCAGE * AUTOR/ZACION * APPROVAL	
CUSTOMER APPROVAL DATE:	
NAME:	TITLE:
COMPANY NAME:	
APPROVAL * FREIGABE * DEBLOCAGE * AUTOR/ZACION * APPROVAL	

THIS DRAWING MAY NOT BE COPIED OR REPRODUCED IN ANY WAY, AND MAY NOT BE PASSED ON TO A THIRD PARTY, WITHOUT WRITTEN PERMISSION. OWNERSHIP AND COPYRIGHT OF CONEC GmbH DO NOT ALTER CAD DRAWING BY HAND

rev.	description	date	name

tolerance		 dim. in mm
2005	date	
drawn	27.05.	name
appd.	27.05.	Kühle
norm	DIN 41652	
d-old		

scale:	2:1	
material:	SEE SHEET 1	
title:	P.C.B. HOLE DRILLINGS D-SUB FILTER DUAL PORT 15.88mm FEMALE / MALE 2x9pos. - 2x37pos.	
dwg no:	AutoCAD 2004	DIN-A
	24K1A648	3
part no:	SEE SHEET 1	
		sh:3/3