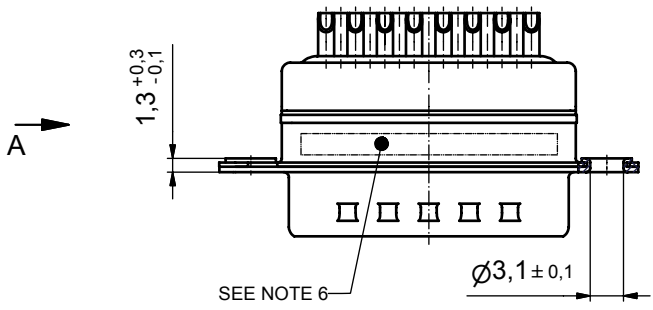
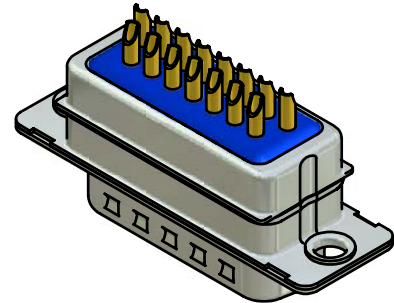
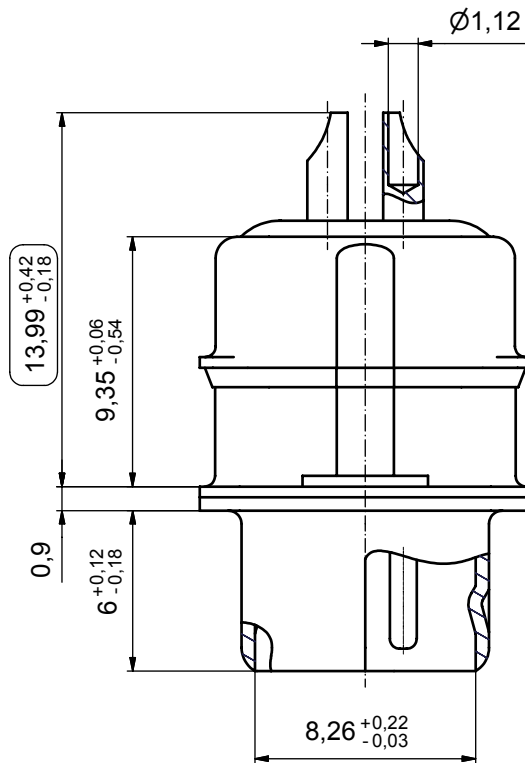
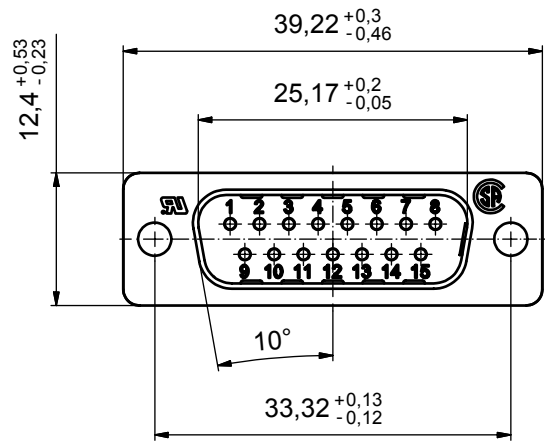


A (5:1)



NOTES:

1. METALSHELLS: STEEL; min. 320µ" TIN
2. INSULATORS: PBT GF UL 94 V-0, BLACK
3. CONTACTS: COPPER ALLOY
PLATING: 8µ" HARD GOLD over min. 50µ" NICKEL
SOLDER CUP ACCEPTS CABLE AWG 20
4. CAPACITANCE: 2 x 830pF ± 20%
5. DIELECTRIC WITHSTANDING VOLTAGE: 300 VDC
6. CONNECTOR IS PART MARKED: 241A29170X CONEC ABC
7. □ = CHECK DIMENSION

Directive 2002/95/EC
RoHS
Compliant

APPROVAL # FREIGABE # DEBLOCAGE # AUTORIZACION # APPROVAL	APPROVAL # FREIGABE # DEBLOCAGE # AUTORIZACION # APPROVAL
CUSTOMER APPROVAL DATE:	
NAME:	TITLE:
COMPANY NAME:	
APPROVAL # FREIGABE # DEBLOCAGE # AUTORIZACION # APPROVAL	APPROVAL # FREIGABE # DEBLOCAGE # AUTORIZACION # APPROVAL

THIS DRAWING MAY NOT BE COPIED OR REPRODUCED IN ANY WAY, AND MAY NOT BE PASSED ON TO A THIRD PARTY WITHOUT WRITTEN PERMISSION. OWNERSHIP AND COPYRIGHT OF CONEC GmbH DO NOT ALTER CAD DRAWING BY HAND

finish:	tolerance	 dim. in mm	
	date		name
	drawn	30.12.04	Schmidt
	appd.	30.12.04	Mickenbecker
	norm	DIN 41652	
	d-old		

scale:	2:1 (5:1)	
material:	SEE NOTES	
title:	D-SUB PI FILTER MALE SOLDER CUP 15 pos.	
dwg no:	Inventor	DIN-A3
	24K1A585	sh: 1
part no:	241A29170X	

