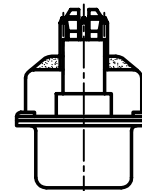
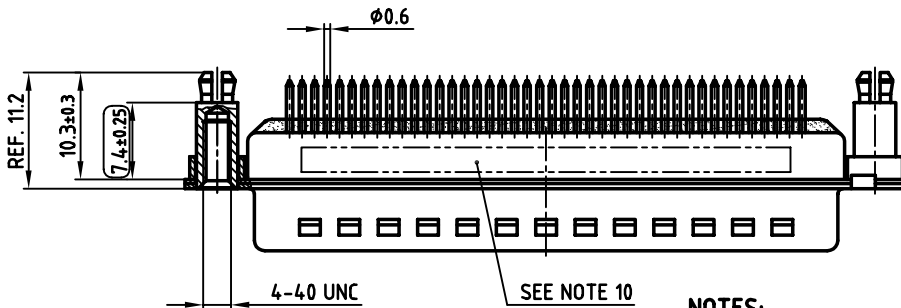
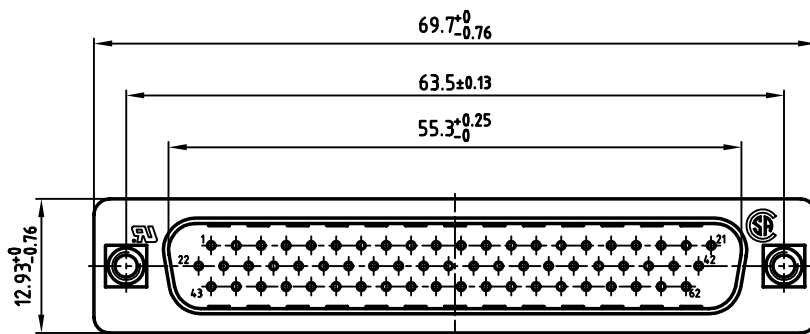
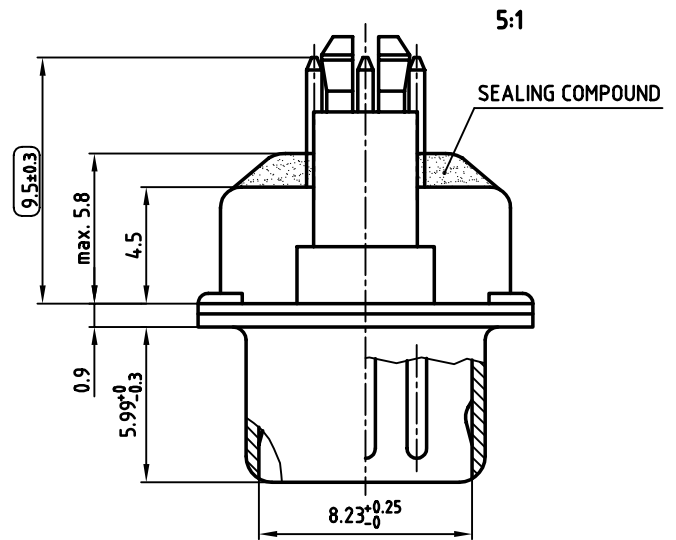


used for: D-SUB HD FILTER



**NOTES:**

1. METALSHELLS: STEEL; min. 320µ" TIN
2. INSULATORS: PBT GF UL 94 V-0, BLACK
3. CONTACTS: COPPER ALLOY  
PLATING: 8µ" HARD GOLD OVER min. 50µ" NICKEL
4. THREADED SPACER CLIP: COPPER ALLOY; min. 200µ" TIN over 80µ" NICKEL  
PCB-HOLE:  $\phi 3.1 \pm 0.1$ ; PCB THICKNESS 1.6mm
5. COLLAR: COPPER ALLOY; min. 200µ" TIN over 80µ" NICKEL
6. P.C.B. HOLE DRILLINGS ON DRAWING NO.: 16V11H6B
7. CAPACITANCE: SEE TABLE
8. DIELECTRIC WITHSTANDING VOLTAGE: 300V DC
9. MAXIMUM TORQUE VALUE FOR THREAD: 6" LBS
10. CONNECTOR IS PART MARKED: PART-NO. CONEC Y/W/W
11.    = CHECK DIMENSION

CAPACITANCE	PART NO.
180pF ±20%	<b>241A27830X</b>
370pF ±20%	<b>241A20790X</b>
830pF ±20%	<b>241A20830X</b>

APPROVAL # FREIGABE # DEBLOCAGE # AUTORIZACION # APPROVAL

CUSTOMER APPROVAL DATE:

NAME: TITLE:

COMPANY NAME:

APPROVAL # FREIGABE # DEBLOCAGE # AUTORIZACION # APPROVAL

THIS DRAWING MAY NOT BE COPIED OR REPRODUCED IN ANY WAY, AND MAY NOT BE PASSED ON TO A THIRD PARTY, WITHOUT WRITTEN PERMISSION. OWNERSHIP AND COPYRIGHT OF CONEC GmbH DO NOT ALTER CAD DRAWING BY HAND

rev.	description	date	name

tolerance dim. in mm

scale: 2:1 (5:1)

material: SEE NOTES

title: **D-SUB HD FILTER MALE**  
62pos. SOLDER PIN STRAIGHT  
with threaded spacer clip

dwg no: AutoCAD 2000 DIN-A  
**24K1A453** 3 sh:1/1

part no: **SEE TABLE**

