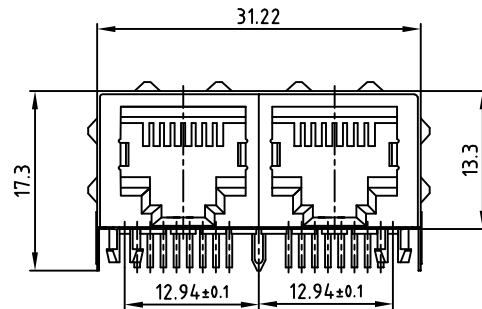
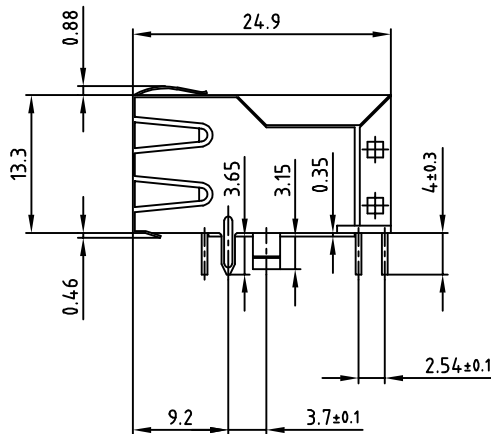
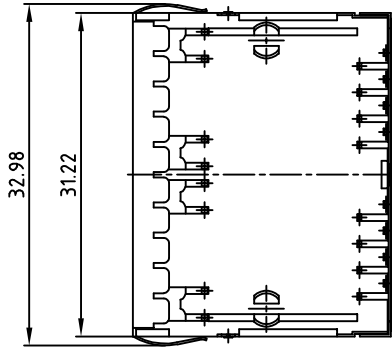
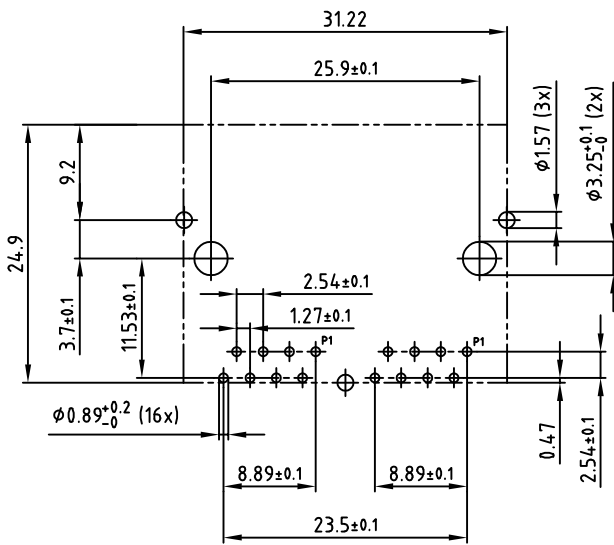


used for: RJ 45



RoHS compliant



P.C.B. HOLE DRILLINGS

NOTES:

1. HOUSING MATERIAL: GLASS FILLED POLYESTER, BLACK
2. SHIELD MATERIAL: 0.2mm THICK COPPER ALLOY
3. CONTACT MATERIAL: 0.35mm THICK COPPER ALLOY
4. MATING AREA PLATING: min. 50µ" GOLD over min. 30µ" NICKEL
5. SOLDER TAILS PLATING: min. 90µ" TIN/LEAD over min. 30µ" NICKEL
6. INTERNAL CIRCUIT PER PORT SEE SHEET 2

APPROVAL # FREIGABE # DEBLOCAGE # AUTOR/ZACION # APPROVAL

CUSTOMER APPROVAL DATE:

NAME: TITLE:

COMPANY NAME:

APPROVAL # FREIGABE # DEBLOCAGE # AUTOR/ZACION # APPROVAL

THIS DRAWING MAY NOT BE COPIED OR REPRODUCED IN ANY WAY, AND MAY NOT BE PASSED ON TO A THIRD PARTY, WITHOUT WRITTEN PERMISSION. OWNERSHIP AND COPYRIGHT OF CONEC GMBH DO NOT ALTER CAD DRAWING BY HAND

rev.	description	date	name
a	Original		

tolerance		dim. in mm	
drawn	10.09.2019	name	Unkrüer
appd.	11.09.2019	name	Fischer
norm			
d-old			

scale: 2:1

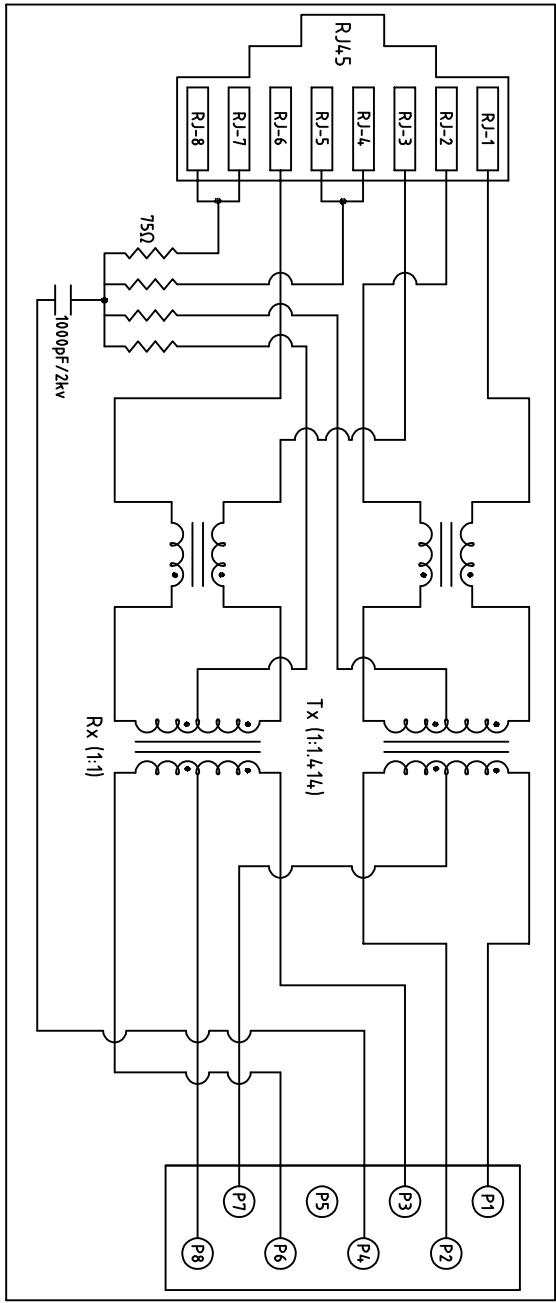
material: SEE NOTES

title: RJ 45 MAGNETIC MODULAR JACK
2. PORT SOLDER PIN STRAIGHT
fully screened

dwg no: AutoCAD DIN-A
39K1A674 3
sh:1/2

part no: RJ45TJS21BN0N0X

used for: RJ 45



SCHEMATIC OF MAGNETIC MODULE WITH:
 - Tx/Rx = 1:1.4:1.4 TURNS RATIO
 - 4 x 75 OHM TERMINAL RESISTORS
 - 1000pF / 2kV CAPACITOR

APPROVAL # FREIGABE # DEBLOCKAGE # AUTOR/ZACON # APPROVAL	APPROVAL # FREIGABE # DEBLOCKAGE # AUTOR/ZACON # APPROVAL
CUSTOMER APPROVAL DATE:	
NAME:	TITLE:
COMPANY NAME:	

THIS DRAWING MAY NOT BE COPIED OR REPRODUCED IN ANY WAY, AND MAY NOT BE PASSED ON TO A THIRD PARTY WITHOUT WRITTEN PERMISSION.
 OWNERSHIP AND COPYRIGHT OF CONEC GmbH
 DO NOT ALTER CAD DRAWING BY HAND

rev.	description	date	name
a	Original		

tolerance	2016	date	10.09.2019	name	Umricker
dim. in mm	norm	appd.	11.09.2019	Fischer	
	d-aid				

CONEC logo

part no: 39K1A674

dwg no: AutoCAD

scale: 2:1

material:

title: SCHEMATIC OF MAGNETIC MODULE FOR RJ 45 MAGNETIC MODULAR JACK

2. port solder pin straight, fully screened

DIN-A 3

sh:2/2

8 7 6 5 4 3 2 1

A B C D E F