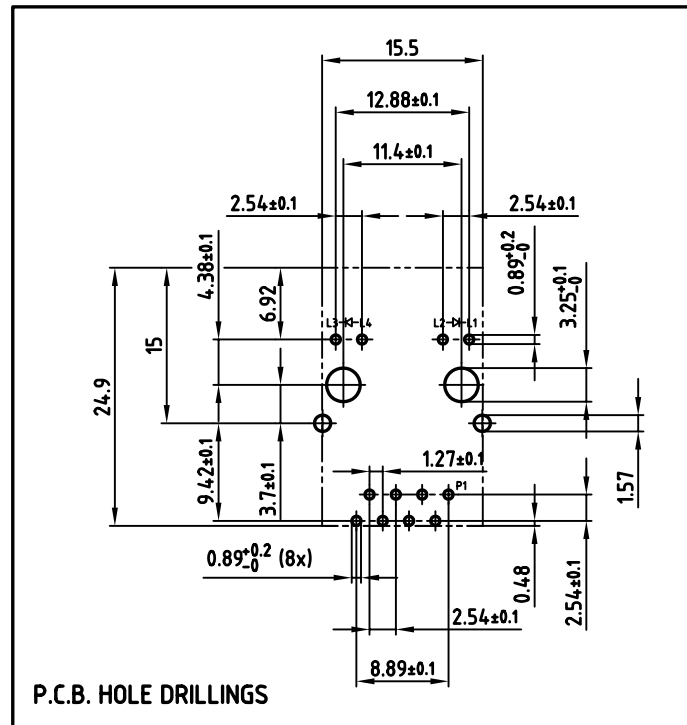
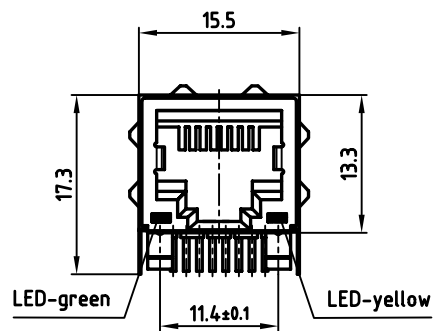
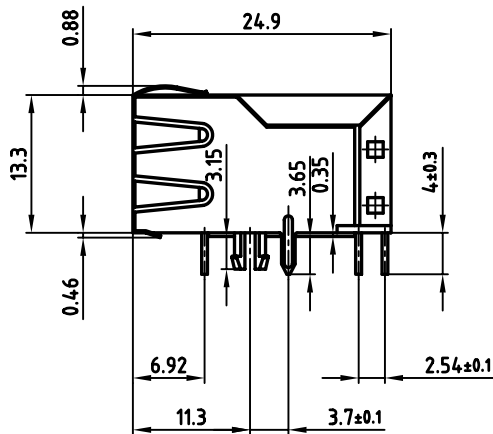
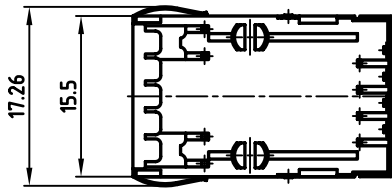


used for: RJ 45



NOTES:

1. HOUSING MATERIAL: GLASS FILLED POLYESTER UL 94 V-0, BLACK
2. SHIELD MATERIAL: 0.2mm THICK COPPER ALLOY
3. CONTACT MATERIAL: 0.35mm THICK COPPER ALLOY
4. MATING AREA PLATING: min. 50µ" GOLD over min. 30µ" NICKEL
5. SOLDER TAILS PLATING: min. 90µ" TIN/LEAD over min. 30µ" NICKEL
6. LED: GREEN AND YELLOW
7. INTERNAL CIRCUIT PER PORT SEE 39K1A043

APPROVAL # FREIGABE # DEBLOCAGE # AUTORIZACION # APPROVAL	
CUSTOMER APPROVAL DATE:	
NAME:	TITLE:
COMPANY NAME:	
APPROVAL # FREIGABE # DEBLOCAGE # AUTORIZACION # APPROVAL	

THIS DRAWING MAY NOT BE COPIED OR REPRODUCED IN ANY WAY, AND MAY NOT BE PASSED ON TO A THIRD PARTY, WITHOUT WRITTEN PERMISSION. OWNERSHIP AND COPYRIGHT OF CONEC Gmbh DO NOT ALTER CAD DRAWING BY HAND

rev.	description	date	name

tolerance scale: 2:1

material:

title: **RJ 45 MAGNETIC MODULAR JACK**
1. PORT SOLDER PIN STRAIGHT
fully screened, with LED

dwg no: AutoCAD 2000 DIN-A
39K2A030 3 sh: 1/1

part no: **RJ45TJS11BC010X**