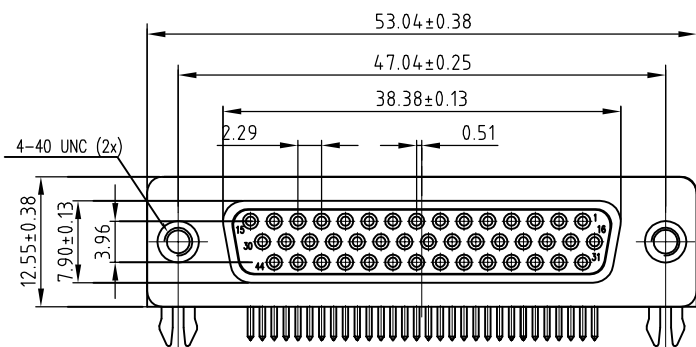
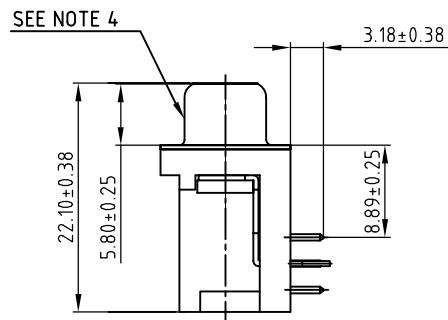
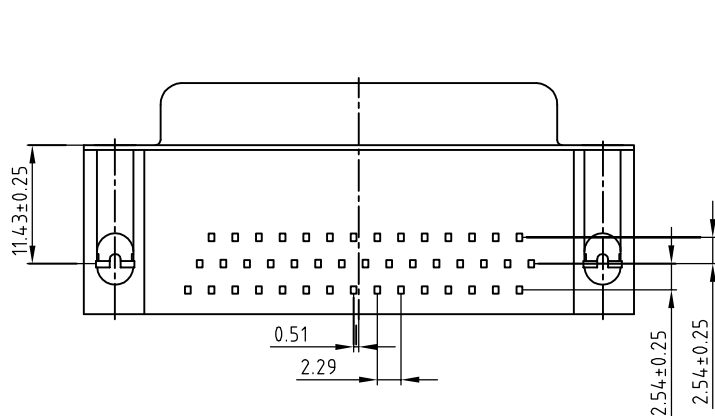


used for: D-SUB HD

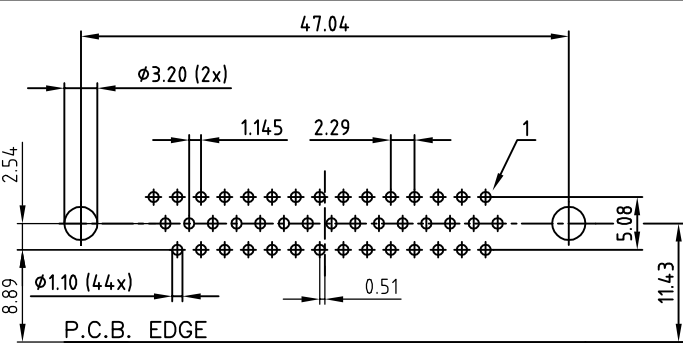


SPECIFICATIONS

- 1. D-SUB
- 1.1 Operating Voltage: 250 VAC(RMS) Max.
- 1.2 Current Rating: 3 Ampere per Contact
- 1.3 Contact Resistance: 25 mOhm Max.
- 1.4 Insulation Resistance: 5000 MOhm Min.
- 1.5 Dielectric Withstanding Voltage: 1000 VAC(RMS)
- 1.6 Total Mating Force: 15.8 kgf Max.
- 1.7 Total Unmating Force: 1.8 kgf Min.
- 1.8 Operating Temperature: -55°C to +115°C

NOTES

- 1. MATERIAL:
 - Housing: PBT, UL 94V-0, Color:Black
 - Terminal: Copper Alloy
 - Shell: SPCC
 - Boardlock: Copper Alloy
 - Rivet: Copper Alloy
- 2. FINISH:
 - Terminal: Gold Plated over Nickel at Contact Area
Gold Plated over Nickel at Solder Ared
 - Shell: Tin Plated
 - Boardlock: Tin Plated
 - Rivet: Nickel Plated
- 3. This Product is LEAD-FREE & RoHS Compliance Product.
- 4. CONNECTOR IS PART MARKED: DLH3XS8K53X CONEC ABC



RECOMMENDED P.C.B LAYOUT (TOP VIEW)

Directive 2002/95/EC RoHS compliant

THIS DRAWING MAY NOT BE COPIED OR REPRODUCED IN ANY WAY, AND MAY NOT BE PASSED ON TO A THIRD PARTY, WITHOUT WRITTEN PERMISSION. OWNERSHIP AND COPYRIGHT OF CONEC GmbH DO NOT ALTER CAD DRAWING BY HAND

rev.	description	date	name
a	Original		

tolerance		dim. in mm
±0.00	±0.25 ±0.15	
2011	date	name
drawn	21.03.	Henneboel
appd.	22.03.	Fischer
norm		
d-old		

scale:	2:1
material:	SEE NOTES
title:	D-SUB HD FEMALE 90° R/A 44pos. with snap-in + clinch nut
dwg no:	16K1A2802
part no:	DLH3XS8K53X
DIN-A	3
sh:	1/1