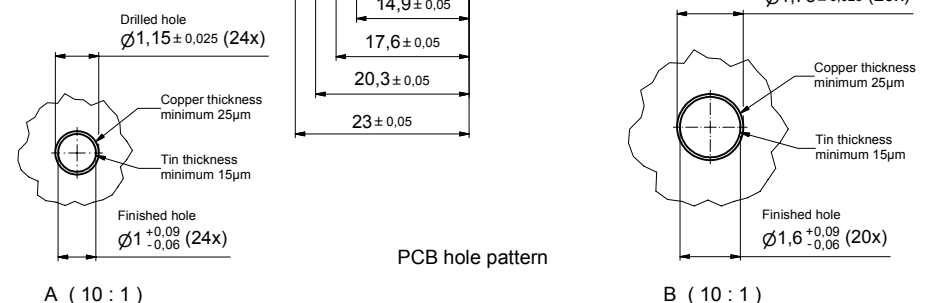


NOTES:

1. MATERIALS AND FINISHES:
 - INSULATOR: GLASS FILLED PLASTIC UL 94 V-0 RATED, GREY RAL 7035
 - CONTACTS: COPPER ALLOY, PLATING MATING AREA: 0.8 µM GOLD OVER NICKEL
PLATING TERMINATION AREA: 0.8-1.5 µM TIN (SN 210)
2. ELECTRICAL CHARACTERISTICS:
 - CREEPING AND CLEARANCE DISTANCE; MINIMUM:
 - CONTACT 47 TO CONTACT 46: 2,5 MM
 - CONTACT 47 TO CONTACT 45: 3,2 MM
 - CONTACT 46 TO CONTACT 45: 3,2 MM
 - CONTACT 47 TO SIGNAL CONTACTS: 6,4 MM
 - CONTACT 46 TO SIGNAL CONTACTS: 6,4 MM
 - CONTACT 45 TO SIGNAL CONTACTS: 2,0 MM
 - CONTACT CURRENT RATING:
 - POWER CONTACTS POS. 45-47: 40 AMPERES CONTINUOUS, ALL CONTACTS UNDER LOAD
 - POWER CONTACTS POS. 1-20: 28 AMPERES CONTINUOUS, ALL CONTACTS UNDER LOAD
 - SIGNAL CONTACTS: 3 AMPERES NOMINAL
 - INITIAL CONTACT RESISTANCE PER IEC 512-2, TEST 2b:
 - POWER CONTACTS: 0,0007 OHM MAX.
 - SIGNAL CONTACTS: 0,004 OHM MAX.
 - INSULATION RESISTANCE: 5 G OHM PER IEC 512-2, TEST 3a
 - VOLTAGE PROOF:
 - CONTACTS POS. 46, 46, 47: 3 kV r.m.s.
 - CONTACTS POS. 1-20: 1,5 kV r.m.s.
 - CONTACTS POS. 21-44: 1 kV r.m.s.
3. CONTACTS (3x) ARE CRIMP, REMOVABLE AND ORDERED SEPARATELY
4. WORKING TEMPERATURE: -55°C TO +125°C
5. PRESS-FIT PART OF CONTACTS ARE PATENT PROTECTED
6. CONNECTOR IS PART MARKED: PART-NO. CONEC ABC



3	Crimp contact (Pos. 45-47) see note 3	4	
24	Signal contact (Pos. 21-44)	3	
20	Power contact (Pos. 1-20)	2	
1	Case 47pos. female	1	
quantity	part description	item	dwg no. / norm material

THIS DRAWING MAY NOT BE COPIED OR REPRODUCED IN ANY WAY, AND MAY NOT BE PASSED ON TO A THIRD PARTY WITHOUT THE WRITTEN PERMISSION OF CONEC GmbH	finish:	tolerance	scale:	2:1
	see notes	ISO 2768-m		material:
	date	name	title:	
	drawn 21.02.06	Schmidt	FEMALE CONNECTOR 47pos.	
appd. 21.02.06	Kühle	CRIMP LOW + PRESS-FIT, STRAIGHT		
norm		CompactPCI		
d-old		dwg no:	Inventor	DIN-
		45K2A027		A2
		part no: CPH47W23FGE1SN9X		sh: 1

