

**NOTES:**

**1. MATERIALS AND FINISHES:**

- INSULATOR: GLASS FILLED PLASTIC UL 94 V-0 RATED, GREY RAL 7035
- CONTACTS: COPPER ALLOY, PLATING MATING AREA: 0,8  $\mu$ M GOLD OVER NICKEL  
PLATING TERMINATION AREA: 0,8-1,5  $\mu$ M TIN (SN 100)

**2. ELECTRICAL CHARACTERISTICS:**

**CREEPING AND CLEARANCE DISTANCE; MINIMUM:**

- CONTACT 38 TO CONTACT 37: 2,5 MM
- CONTACT 38 TO CONTACT 36: 3,2 MM
- CONTACT 37 TO CONTACT 36: 3,2 MM
- CONTACT 38 TO SIGNAL CONTACTS: 6,4 MM
- CONTACT 37 TO SIGNAL CONTACTS: 6,4 MM
- CONTACT 36 TO SIGNAL CONTACTS: 2,0 MM

**CONTACT CURRENT RATING:**

- POWER CONTACTS POS. 36-38: 40 AMPERES CONTINUOUS, ALL CONTACTS UNDER LOAD
- POWER CONTACTS POS. 1-20: 28 AMPERES CONTINUOUS, ALL CONTACTS UNDER LOAD
- SIGNAL CONTACTS: 5 AMPERES NOMINAL

**INITIAL CONTACT RESISTANCE PER IEC 512-2, TEST 2b:**

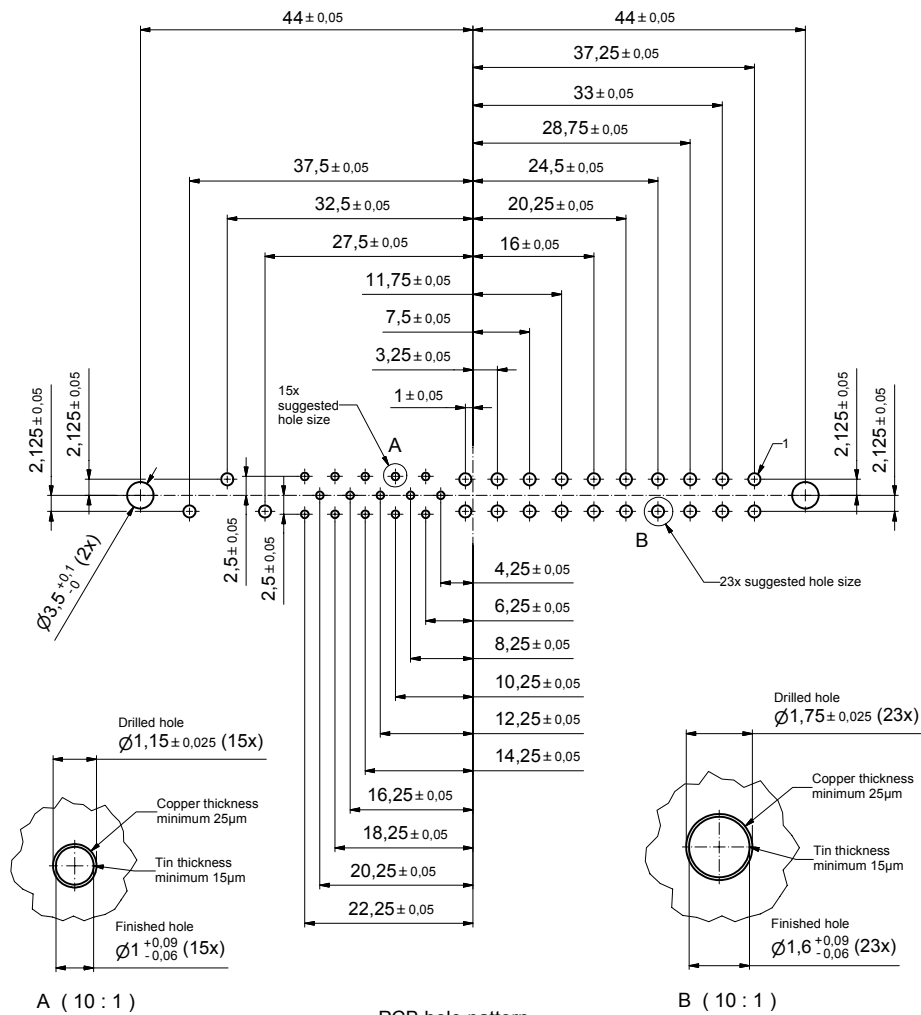
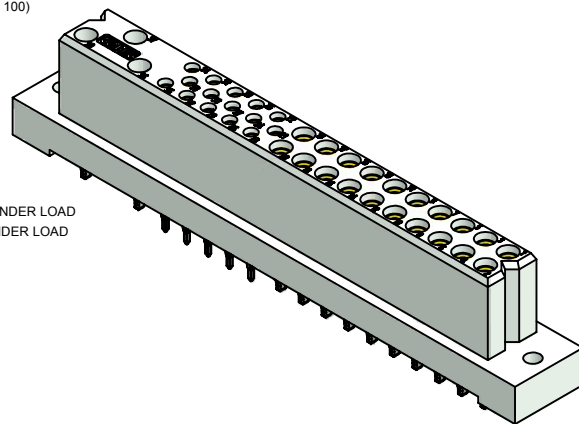
- POWER CONTACTS: 0,0007 OHM MAX.
- SIGNAL CONTACTS: 0,004 OHM MAX.

**INSULATION RESISTANCE: 5 G OHM PER IEC 512-2, TEST 3a, METHOD A**

**3. WORKING TEMPERATURE: -55°C TO +125°C**

**4. PRESS-FIT PART OF CONTACTS ARE PATENT PROTECTED**

**5. CONNECTOR IS PART MARKED: [PART-NO. CONEC ABC]**



A (10 : 1)

PCB hole pattern

B (10 : 1)

15	Signal contact (Pos. 21-35)	5		
20	Power contact type 3 (Pos. 1-20)	4		
1	Power contact type 2 (Pos. 36)	3		
2	Power contact type 1 (Pos. 37-38)	2		
1	Case 38pos. female	1		
quantity	part description	partlist	item	dwg no. / norm
				material

finish: see notes		tolerance ISO 2768-m	scale: 2:1
date		name	material: see notes
drawn	20.02.06	Schmidt	title: SOCKET CONNECTOR 38pos. PRESS-FIT STRAIGHT CompactPCI
appd.	20.02.06	Kühle	
norm			
d-old			
rev	description	date	name
2 x b	A 2867	14.11.07	HS
dwg no: [Inventor]			DIN-A2
part no: CPH38W23FGE1SK9X			sh: 1

