



**Technical specification/  
Technische Daten:**

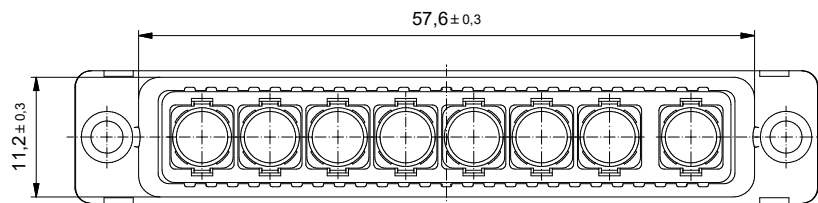
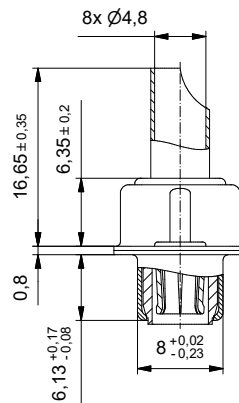
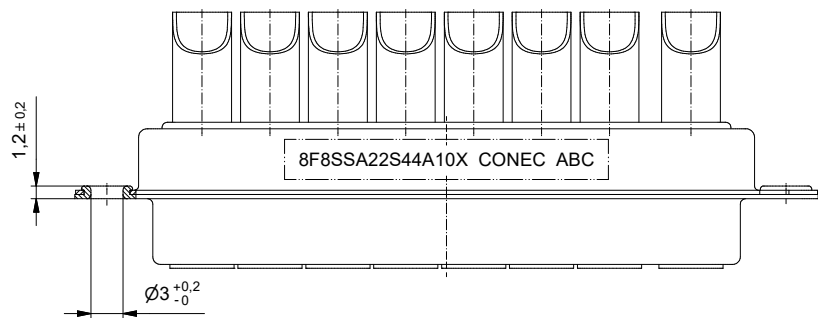
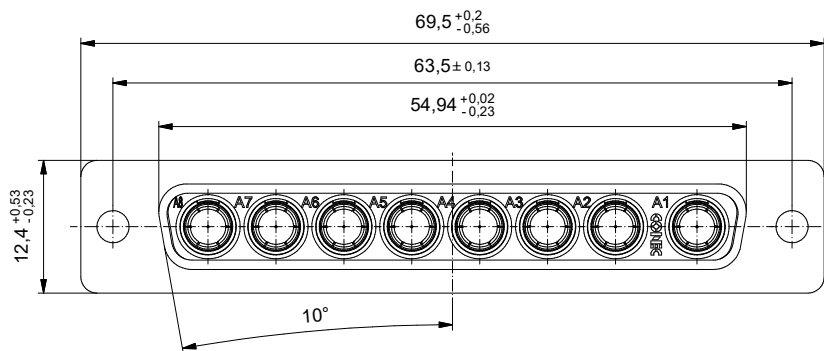
Working voltage/ Betriebsspannung:	100 VDC
Current rating/ Strombelastbarkeit:	40 A High power contact AWG 8-10/ Hochstromkontakt AWG 8-10
Insulation resistance/ Isolationswiderstand:	≥ 1 GΩ
Dielectric withstanding voltage/ Spannungsfestigkeit (DWW):	707 VDC
Temperature working range/ Umgebungstemperatur:	- 55 °C ... + 125 °C
Capacitance value/ Kapazitätswert:	47 nF ± 20 %
Mating cycles/ Steckzyklen:	Quality class 3 = 50 Gütestufe 3

**Materials/  
Werkstoffe:**

Contact/ Kontakt:	Cu alloy, Au over Ni
Insulator/ Isolierkörper:	PBT UL 94 V-0
Shell/ Gehäuse:	Steel, Sn over Ni

**Solder instruction/  
Lötanweisung:**

- The wires have to be pretinned.  
1. Litzen werden vorverzinnt.
- Solder temperature max. 350 °C.  
2. Löttemperatur max. 350 °C.
- Solder time max. 15 s.  
3. Lötzeit max. 15 S.



Part no. / Part marked/ Art.-Nr. / Bedruckung:	8F8SSA22S44A10X	Contact plating/ Kontakt Veredelung:	High power contact 40 A/ Hochstromkontakt 40 A:	plating, mating area/ Veredelung, Steckbereich:	gold flash over nickel Gold über Nickel
				plating, termination side/ Veredelung, Anschluss Seite:	gold flash over nickel Gold über Nickel
general tolerance/ Allgemeintoleranz:	0 ± 0,50 mm 0,0 ± 0,25 mm 0,00 ± 0,10 mm ∞ ± 5°	Scale/Maßstab:	2:1	dim. in mm	D-SUB Filter Combination Female 8W8SS Solder cup D-SUB Filter Combination Buchsenleiste 8W8SS Lötkelech
Index:	a Original			dwg no / Z.-nr.:	24K1A2570
					DIN-A3
					1 / 1

The reproduction and circulation of this document as well as the communication of its contents to others without express authorization is prohibited. Offenders will be held liable for the payment of damages. We reserve the right to withdraw advertising space from the advertising agency without notice.