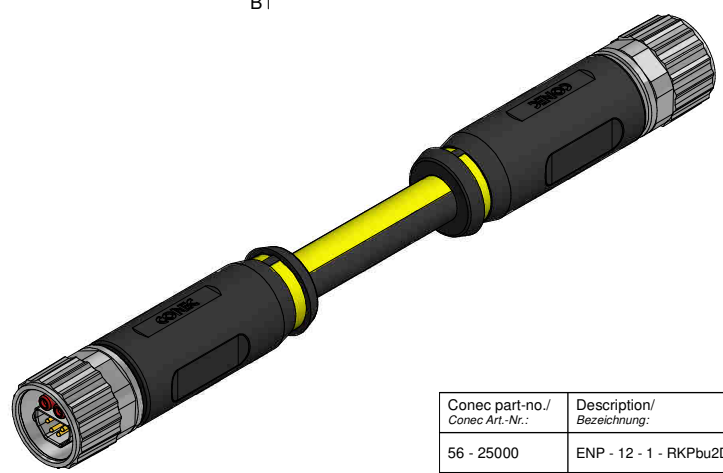


Technical specification: <i>Technische Daten:</i>	Data-element: <i>Daten-Element:</i>	Power-element: <i>Leistungs-Element:</i>
No. of contacts/ <i>Anzahl Kontakte:</i>	4	2
Rated Voltage acc. UL2238/ <i>Bemessungsspannung nach UL2238:</i>	24 V DC	60 V DC
Rated Voltage/ <i>Bemessungsspannung:</i>	50 V AC/DC	50 V AC/DC
Rated impulse voltage/ <i>Bemessungstoßspannung:</i>	1 kV	1,5 kV
Current rating acc. UL2238/ <i>Strombelastbarkeit nach UL2238:</i>	4 A (AWG22)	8 A (0,75 mm ²)
Current rating/ <i>Strombelastbarkeit:</i>	4 A / 40°C	8 A / 40°C
Contact resistance/ <i>Kontaktwiderstand:</i>	<10 mOhm	<5 mOhm
Insulation resistance/ <i>Isolationswiderstand:</i>	>100 MOhm	
Impedance/ <i>Impedanz:</i>	100 Ohm	
Degree of protection/ <i>Schutzart:</i>	IP 65/67, in mated condition/ <i>im verschraubten Zustand</i>	
Pollution degree/ <i>Verschmutzungsgrad:</i>	3/2	
Temperatur range/ <i>Umgebungstemperatur:</i>	-30°C ... +80°C	
Mating cycles/ <i>Steckzyklen:</i>	>=100	
Wire/ cable specification/ <i>Litzen/ Kabeleigenschaften:</i>		
Temperature range/ <i>Umgebungstemperatur:</i>		
Static/unbewegt:	-40°C...+90°C	
Flexible/bewegt:	-20°C...+60°C	
Materials/ <i>Werkstoffe:</i>		
Contact/ <i>Kontakt:</i>	Cu alloy, Ni b / Au 0,2 gal./ <i>Kupferlegierung, Ni b / Au 0,2 gal.</i>	
Contact carrier/ <i>Kontaktträger:</i>	PA, UL 94 V-0	
Sealing/ <i>Dichtung:</i>	NBR / HNBR	
Shielding sleeve/ <i>Schirmhülse:</i>	CuZn, Ni	
Coupling nut/ <i>Überwurfmutter:</i>	GD-Zn, Ni	
Moulding body/ <i>Grifkörper:</i>	TPU, UL 94 HB, black / schwarz	
Installation specification/ <i>Montagedaten:</i>		
Screwdriver across flats 17/ <i>Schraubendreher SW17:</i>	36 - 000740	

Contact assignment/ <i>Kontaktbelegung:</i>			
1	yellow / gelb	AWG22	TX+
2	white / weiß	AWG22	RX+
3	blue / blau	AWG22	RX-
4	orange / orange	AWG22	TX-
shielding / Schirmung			
5	red / rot	0,75mm ²	
6	blue / blau	0,75mm ²	



Shortest possible length (L) is 0.3m/
Kürzest mögliche Länge (L) beträgt 0,3m

Conec part-no./ <i>Conec Art.-Nr.:</i>	Description/ <i>Bezeichnung:</i>	Length L/ <i>Länge L:</i>	Cable/ <i>Kabel:</i>	Type/ <i>Typ:</i>
56 - 25000	ENP - 12 - 1 - RKPbu2Dst4 - RKPst2Dbu4 - 1 / GCT / 075 / 034	1m	PUR, (4xAWG22)	Contact site A/ <i>Kontakt Seite A:</i> Female / <i>Buchse (power / Power)</i>
56 - 25001	ENP - 12 - 1 - RKPbu2Dst4 - RKPst2Dbu4 - 5 / GCT / 075 / 034	5m	+2x0,75mm ²	Male / <i>Stift (data / Daten)</i>
56 - xxxxx	ENP - 12 - 1 - RKPbu2Dst4 - RKPst2Dbu4 - ... / GCT / 075 / 034	x	Cable / <i>Kabel:</i> 781-GCT028H	Contact site B/ <i>Kontakt Seite B:</i> Male/ <i>Stift (power / Power)</i> Female/ <i>Buchse (data / Daten)</i>

tolerance of cable/ <i>Kabeltoleranz:</i>	L < 3m: L + 100mm L 3m bis 10m: L ± 100mm L > 10m: L ± 2%	dim. in mm	Connecting cable B12, coding 1 female axial - female axial <i>Verbindungsleitung B12, Codierung 1</i> <i>Kupplung axial - Kupplung axial</i>		
general tolerance/ <i>Allgemeintoleranz:</i>	0 ± 0,50 mm 0,0 ± 0,25 mm 0,00 ± 0,10 mm x ± 1,5°				
Index: a Original	scale/ Maßstab: 1:1	Date/ Datum: 10.11.23			Name: Schäfers
RoHS compliant/ <i>konform</i>		appd./ <i>gepr.:</i> 10.11.23			Name: Harke

dwg no / <i>Z.-nr.:</i>	56K1A3046	DIN-A3
		1 / 1

The reproduction, distribution and utilization of this document as well as the communication of its contents to third parties without express authorization is prohibited. Offenders will be held liable for the payment of damages. For further information on the legal liability of our information, please refer to our terms and conditions.