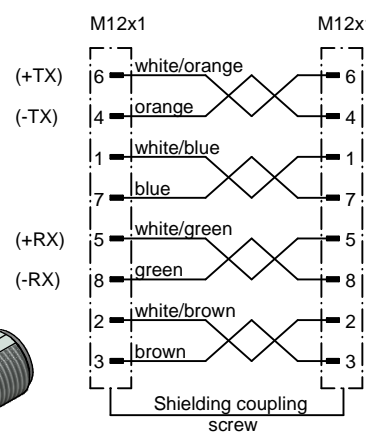


Contact assignment 8pos:



Technical specification :

Rated voltage: 30 V
 Current rating: 1 A bei 40°C
 Insulation resistance: >=100 MΩ
 IEC 60512
 Pollution degree: 3/2
 IEC 60664-1
 Degree of protection M12x1: IP 67, in mated condition
 IEC 60529
 Temperature range: -30°C ... +80°C
 Mating cycles: >=100
 IEC 60512-9a

Cable specification:

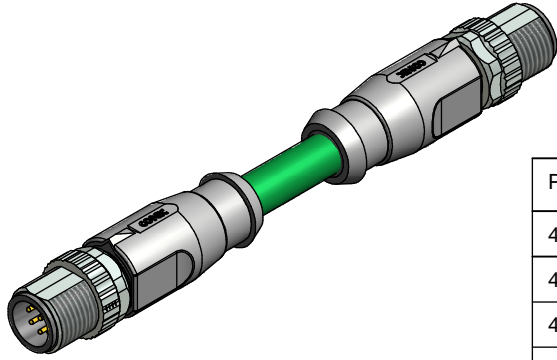
Temperatur range: -40°C ... +90°C
 Numbers of cycles: 5 Mio. at 5 m/s

Material:

Contact: CuZn / Ni3 Au 0,2 gal.
 Contact carrier: PA, UL 94 V-0
 Coupling screw: GD-Zn, Nickel plated
 Moulding body: TPU, UL 94 HB, grey

Installation specification:

recommended torque: 0,6Nm
 Conec installation tool: Torque wrench: 36-000200
 Insert across flats 13: 36-000220



Partno.:	Description:	Length L:	Cable:
43-17002	SAL - 12S - RS8.23 - RS8.23 - 0,3 / GAF	0,3m	TPU, UL 20236 green, 4x2xAWG24, Cat-5e Cable: 781-GAF080T
43-17003	SAL - 12S - RS8.23 - RS8.23 - 0,6 / GAF	0,6m	
43-17004	SAL - 12S - RS8.23 - RS8.23 - 1,5 / GAF	1,5m	
43-17005	SAL - 12S - RS8.23 - RS8.23 - 3 / GAF	3m	
43-xxxxx	SAL - 12S - RS8.23 - RS8.23 - ... / GAF	x	

DO NOT ALTER CAD DRAWING BY HAND RoHS & REACH compliant	dim. in mm		title: Connecting cable M12x1, 360°-shielding, male connector axial - male connector axial	
	date	name		
	drawn	24.09.13	Fromm	dwg no: 43K1A2188
	appd.	24.09.13	Mankopf	
tolerance of cable: L <= 4m: L + 40mm L > 4m: L + 1%		CONEC [®]		
general tolerance: 0 ± 0,50mm 0,0 ± 0,25mm 0,00 ± 0,10mm x ± 5°				
THIS DRAWING MAY NOT BE COPIED OR REPRODUCED IN ANY WAY, AND MAY NOT BE PASSED ON TO A THIRD PARTY WITHOUT WRITTEN PERMISSION. OWNERSHIP AND COPYRIGHT OF CONEC GmbH		part no:		