

**Technical specification :**

Rated voltage: 60 V  
IEC 61076-2-101

Current rating: 4 A at 40°C  
IEC 61076-2-101

Insulation resistance:  $\geq 100$  M  
IEC 60512

Pollution degree: 3/2  
IEC 60664-1

Degree of protection: IP 67, in mated condition  
IEC 60529

Temperature range: -30°C ... +80°C  
EN 60512-11-10  
-40°C ... +85°C  
EN 60512-11-4

Mating cycles:  $\geq 100$   
IEC 60512-9a

**Cable specification:**

Temperatur range:  
static -40°C ... +80°C  
flexibel -25°C ... +80°C

Numbers of cycles:  $\geq 4$  Mio. at 3 m/s

**Materials:**

Contact: CuZn, Ni b / Au 0,2 gal.

Contact carrier: PA, UL 94 V-0

Sealing: FPM

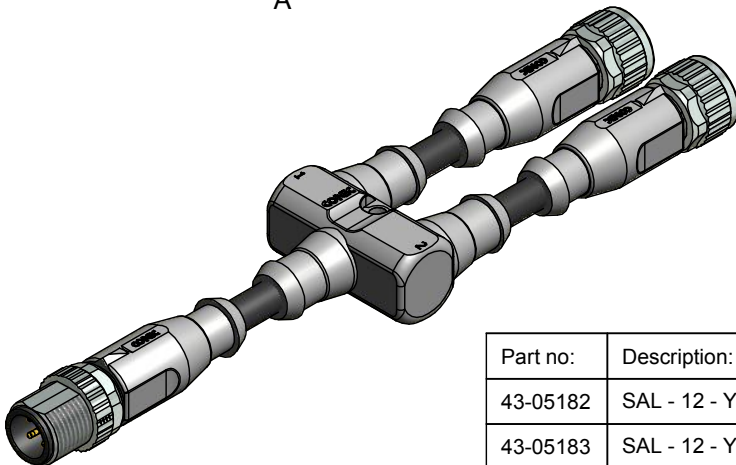
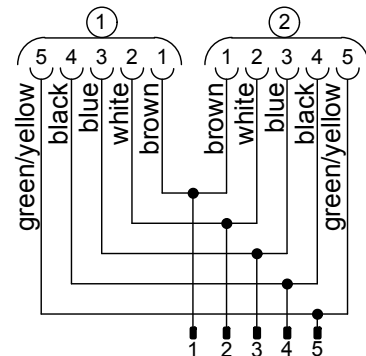
Coupling nut/  
screw: GD-Zn, Nickel plated

Moulding body: TPU, UL 94 HB, grey

**Installation specification:**

Recommended torque: 0,6 Nm

Conec installation tool: Torque wrench: 36-000200  
Insert across flats 13: 36-000220



Part no:	Description:	Length L:	Cable:
43-05182	SAL - 12 - YRS5 - RK5 - RK5 - 0,6 / 0,6 / 0,6 / K1	0,6 m	TPU, UL 20549, black, 5x0,34mm <sup>2</sup> Li9Y11Y Cable: 781-K13500
43-05183	SAL - 12 - YRS5 - RK5 - RK5 - 1,5 / 1,5 / 1,5 / K1	1,5 m	
43-xxxxx	SAL - 12 - YRS5 - RK5 - RK5 - ... / ... / ... / K1	x	

DO NOT ALTER CAD DRAWING BY HAND RoHS & REACH compliant	dim. in mm		title: <b>Y-splitter, male connector M12x1 - 2x female connector M12x1</b>	
	date	name		
	tolerance of cable: L ≤ 4m: L + 40mm L > 4m: L + 1%	drawn	19.11.15	Willer
	general tolerance: 0 ± 0,50mm 0,0 ± 0,25mm 0,00 ± 0,10mm * ± 5°	appd.	19.11.15	Franz
<b>CONEC</b> ®			dwg no: <b>43K1A3170</b>	
THIS DRAWING MAY NOT BE COPIED OR REPRODUCED IN ANY WAY, AND MAY NOT BE PASSED ON TO A THIRD PARTY WITHOUT WRITTEN PERMISSION. OWNERSHIP AND COPYRIGHT OF CONEC GmbH			part no: <b>see table</b>	