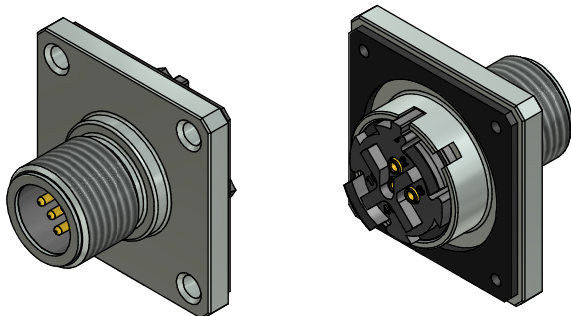
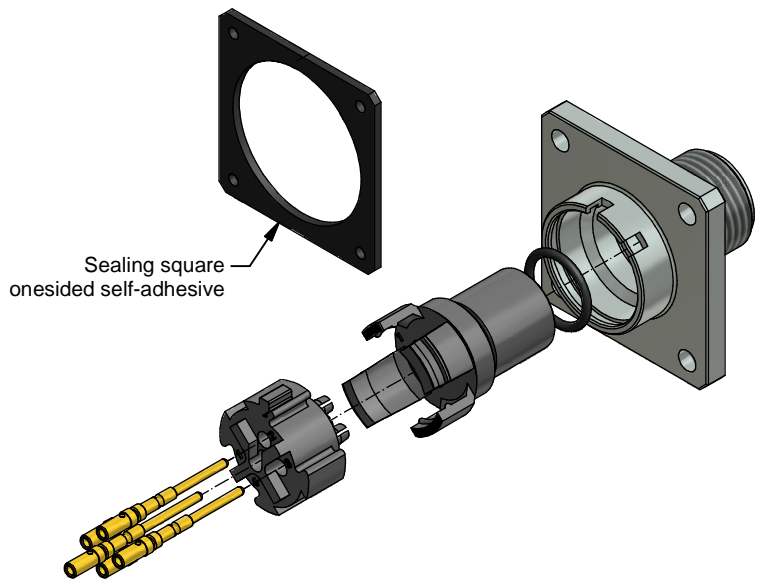
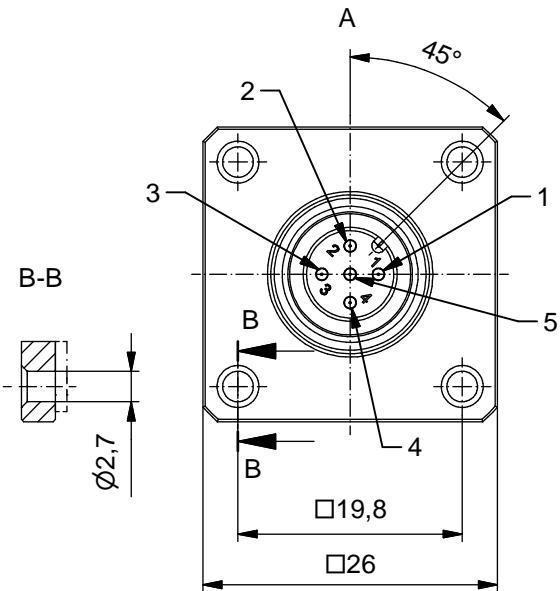


Technical specification:

| | |
|-------------------------------------|---------------------------|
| Rated voltage: IEC 61076-2-101 | 4pos 5pos 250 V 60 V |
| Current rating: IEC 61076-2-101 | 4/5pos 4 A at 40°C |
| Insulation resistance: IEC 60512 | >=100 MΩ |
| Pollution degree: IEC 60664-1 | 3/2 |
| Degree of protection: IEC 60529 | IP 67, in mated condition |
| Temperature range: | -20°C ... +85°C |
| Mating cycles: IEC 60512-9a | >=100 |
| Wire cross section: | max. AWG20 |

Materials:

| | |
|------------------|-----------------------|
| Contact: | CuZn, Ni3 Au 0,2 gal. |
| Contact carrier: | PA, UL 94 V-0 |
| Sealing: | NBR |
| Socket housing: | CuZn, nickel plated |



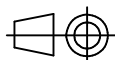
Parts loose packed

| Part no: | Description: | Pos | Note: |
|----------|-------------------------|-----|-------------------|
| 43-02690 | SAL - 12 - FSVC4 - 26 | 4 | |
| 43-02611 | SAL - 12 - FSVC5 - 26 | 5 | Contact 5 leading |
| 43-02631 | SAL - 12 - FSVC5.1 - 26 | 5 | |

DO NOT ALTER CAD DRAWING BY HAND

RoHS & REACH compliant

Index a: 06.05.2015 rch Ä5641
43-02690 added



dim. in mm

| | date | name |
|-------|----------|----------|
| drawn | 23.02.15 | Christen |
| appd. | 23.02.15 | Franz |

title:

Male socket M12x1,
field attachable, with square

dwg no:

43K1A2693

part no:

| | |
|--------------------|---------------|
| general tolerance: | 0 ± 0,50mm |
| | 0,0 ± 0,25mm |
| | 0,00 ± 0,10mm |
| | * ± 1,5° |

THIS DRAWING MAY NOT BE COPIED OR REPRODUCED IN ANY WAY, AND MAY NOT BE PASSED ON TO A THIRD PARTY WITHOUT WRITTEN PERMISSION. OWNERSHIP AND COPYRIGHT OF CONEC GmbH

