

Technical specification:

Rated voltage: 63 V AC/DC
IEC 61076-2-101
Current rating: 12 A at 40°C
IEC 61076-2-101
Insulation resistance: >=100 MΩ
IEC 60512
Pollution degree: 3/2
IEC 60664-1
Degree of protection: IP 67, in mated condition
IEC 60529
Temperature range: -30°C ... +85°C
EN 60512-11-10 -40°C
EN 60512-11-4 -40°C ... +85°C
UL 2238 -30°C ... +85°C
Mating cycles: >=100
IEC 60512-9a

Wire specification:

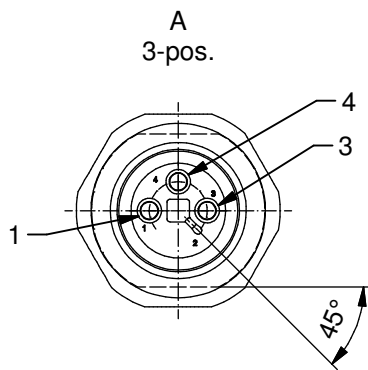
Temperatur range
static -30°C ... +80°C
flexibel -5°C ... +80°C

Materials:

Contact: CuZn, Ni b / Au 0,2 gal.
Contact carrier: PA, UL 94
Sealing: NBR
Socket housing: CuZn, nickel plated
Grouting: Polyurethane-resin, UL 94

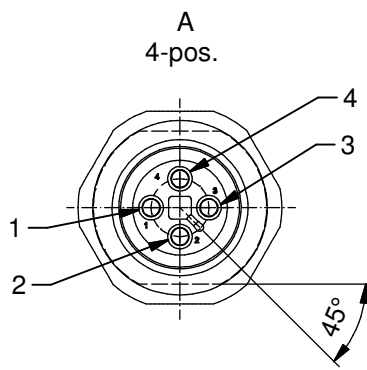
Installation specification:

Recommended torque: 1-1,2 Nm
Conec installation tool: Torque wrench: 36-000200
Insert across flats 17: 36-000230
Installation hole: see fig.1 43K1A1791



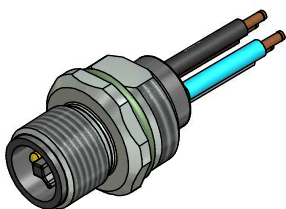
Contact assignment:

- 1 ■ brown
- 3 ■ blue
- 4 ■ black



Contact assignment:

- 1 ■ brown
- 2 ■ white
- 3 ■ blue
- 4 ■ black



Part no:	Description:	Pos	Lenght L:	Wire:
43-02413	SAL - 12T - FS3 - 0,5	3	0,5m	AWG 16 PVC, UL
43-xxxxx	SAL - 12T - FS3 - ...	3	x	
43-02395	SAL - 12T - FS4 - 0,5	4	0,5m	
43-xxxxx	SAL - 12T - FS4 - ...	4	x	

DO NOT ALTER CAD DRAWING BY HAND Directive 2011/65/EU RoHS compliant	Index a: 14.09.15 Brü A5814 specifications changed, 3-pos. added	dim. in mm	title: Male socket M12x1 with wire, T-cod., frontmounting		
	tolerance of wire: L <= 0,5m: L + 20mm L > 0,5m: L + 4%	date			name
	general tolerance: 0 ± 0,50mm 0,0 ± 0,25mm 0,00 ± 0,10mm	drawn 17.02.14	Gitinow	dwg no: 43K1A2267	
	THIS DRAWING MAY NOT BE COPIED OR REPRODUCED IN ANY WAY, AND MAY NOT BE PASSED ON TO A THIRD PARTY WITHOUT WRITTEN PERMISSION. OWNERSHIP AND COPYRIGHT OF CONEC GmbH	appd. 10.04.14	Brüntrup		

