

Technical specification:

Rated voltage: 4pos 5pos
IEC 61076-2-101 250 V 60 V

Current rating: 4/5pos
IEC 61076-2-101 4 A at 40°C

Insulation resistance: >=100 MΩ
IEC 60512

Pollution degree: 3/2
IEC 60664-1

Degree of protection: IP 67, in mated condition
IEC 60529

Temperature range: +100°C - 30.000h
+125°C - 8.000h

Mating cycles: +150°C - 2.000h
IEC 60512-9a

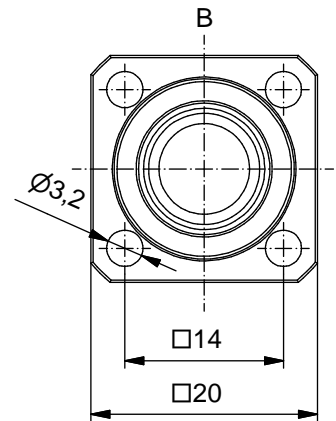
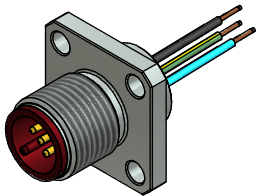
>=100

Materials:

Contact: CuZn
Contact plating: Nickel, gold plated
Contact carrier: PBT GF, UL 94
Sealing: FPM
Socket housing: CuZn, nickel plated
Grouting: Polyurethane-resin, UL 94

Contact assignment:

- 1 brown
- 2 white
- 3 blue
- 4 black
- 5 green-yellow



Part no:	Description:	Pos	Length L:	Wire:
43-02326	SAL - HT - 12 - FSV04 - 0,5 - 20	4	0,5m	AWG 24 PVC, UL
43-02327	SAL - HT - 12 - FSV05 - 0,5 - 20	5	0,5m	

DO NOT ALTER CAD DRAWING BY HAND Directive 2002/95/EC RoHS compliant	dim. in mm		title: Male socket M12x1 with wire, with square and sealing, HT		
		date			name
	tolerance of wire:	L <= 0,5m: L + 20mm L > 0,5m: L + 4%	drawn	04.09.13	Brüntrup
	general tolerance:	0 ± 0,50mm 0,0 ± 0,25mm 0,00 ± 0,10mm	appd.	09.09.13	Fromm
		dwg no: 43K1A2149		part no: see table	
		THIS DRAWING MAY NOT BE COPIED OR REPRODUCED IN ANY WAY, AND MAY NOT BE PASSED ON TO A THIRD PARTY WITHOUT WRITTEN PERMISSION. OWNERSHIP AND COPYRIGHT OF CONEC GmbH			