

Technical specification :

Rated voltage: 50 V AC / 60 V DC
IEC 61076-2-104

Current rating: 3 A bei 40°C
IEC 61076-2-104

Insulation resistance: >=100 MΩ
IEC 60512

Pollution degree: 3/2
IEC 60664-1

Degree of protection: IP 67, in mated condition
IEC 60529

Temperature range: -30°C ... +80°C
EN 60512-11-10
-40°C
EN 60512-11-4
-40°C ... +85°C
UL 2238
-30°C ... +50°C

Mating cycles: >=100
IEC 60512-9a

Cable specification:

Temperatur range:
static -30°C ... +80°C
flexibel -15°C ... +80°C

Numbers of cycles: >= 4 Mio. at 3 m/s

Materials:

Contact: CuZn, Ni3 Au 0,2 gal.

Contact carrier: PA, UL 94 V-0

Moulding body: TPU, UL 94 HB, grey

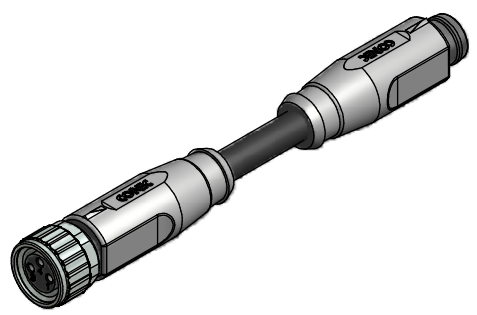
Installation specification:

Recommended torque: 0,4 Nm

Conec installation tool: Torque wrench: 36-000200
Insert across flats 9: 36-000210

Contact assignment:

- 1) brown
- 3) blue
- 4) black



Part no:	Description:	Length L:	Cable:
42-10831	SAL - 8 - RK3 - RSS3 - 0,3 / K1	0,3m	TPU, UL 20549, black, 3x0,25mm ² Cable: 781-K12300
42-10832	SAL - 8 - RK3 - RSS3 - 0,6 / K1	0,6m	
42-10833	SAL - 8 - RK3 - RSS3 - 1,5 / K1	1,5m	
42-10834	SAL - 8 - RK3 - RSS3 - 3 / K1	3,0m	
42-xxxxx	SAL - 8 - RK3 - RSS3 - ... / K1	x	

DO NOT ALTER CAD DRAWING BY HAND	RoHS & REACH compliant	Index: b 22.12.15 fro Ä5899 technical specificationan materials changed	dim. in mm	RU	title: Connecting cable, female connector axial M8x1 - male connector axial Ø8	
		date	name			
		drawn	26.10.09	Fromm		dwg no: 42K1A173
		appd.	26.10.09	Mankopf		

THIS DRAWING MAY NOT BE COPIED OR REPRODUCED IN ANY WAY, AND MAY NOT BE PASSED ON TO A THIRD PARTY WITHOUT WRITTEN PERMISSION. OWNERSHIP AND COPYRIGHT OF CONEC GmbH