

**Technical specification:**

Rated voltage: 30 V AC / 30 V DC  
IEC 61076-2-104

Current rating: 2 A at 40°C  
IEC 61076-2-104

Insulation resistance: >=100 MΩ  
IEC 60512

Pollution degree: 3  
IEC 60664-1

Degree of protection: IP 67, in mated condition  
IEC 60529

Temperature range: -25°C ... +95°C  
EN 60512-11-10  
-40°C ... +85°C  
EN 60512-11-4

Mating cycles: >=100  
IEC 60512-9a

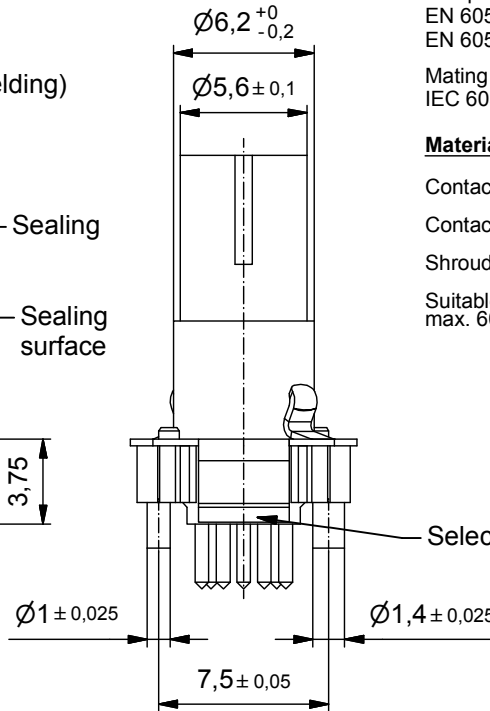
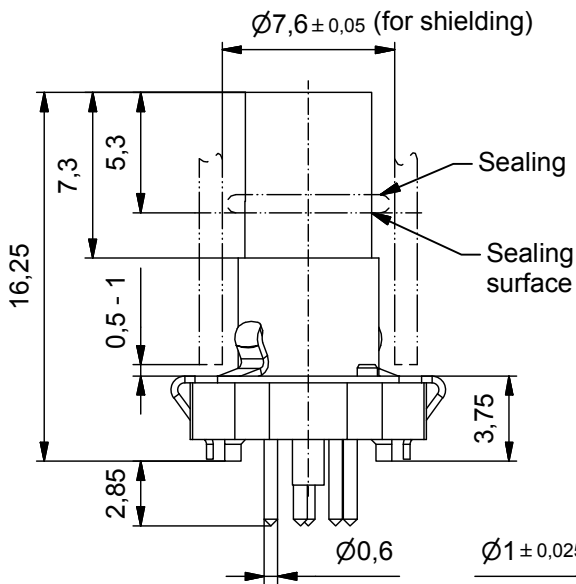
**Materials:**

Contact: CuZn, Ni b / Au 0,2 gal.

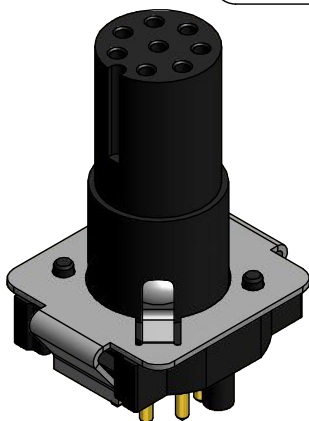
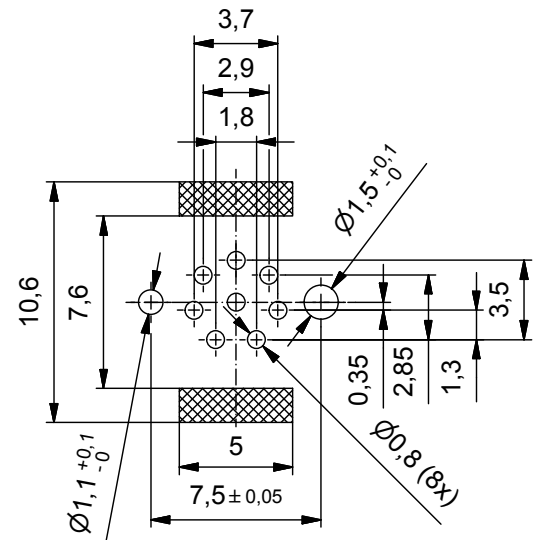
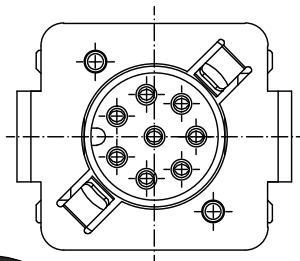
Contact carrier: LCP GF, UL 94 V-0

Shroud: CuSn, nickel / sel. tin plated

Suitable for reflow soldering  
max. 60s / 250°C



Layout proposal



Part no. packing unit Tape & Reel:	Part no. packing unit in bulk:	Description:	Pos
42-01403TR	42-01403	SAL - 8S - IK8 / THR	8

DO NOT ALTER CAD DRAWING BY HAND RoHS & REACH compliant	Index: b 25.04.16 CS Ä6101 Change of tolerance in mating face
	general tolerance: 0 ± 0,50mm 0,0 ± 0,25mm 0,00 ± 0,10mm * ± 5°
	THIS DRAWING MAY NOT BE COPIED OR REPRODUCED IN ANY WAY, AND MAY NOT BE PASSED ON TO A THIRD PARTY WITHOUT WRITTEN PERMISSION. OWNERSHIP AND COPYRIGHT OF CONEC GmbH
	<b>CONEC</b> ®

dim. in mm	date	name
	drawn 18.03.15	Gitinow
	appd. 20.03.15	Schramm

title: Insulating body female M8x1 THR, shielded
dwg no: 42K1A929
part no: see table