

**Technical specification:**

Rated voltage: 50 V AC / 60 V DC  
IEC 61076-2-104

Current rating: 4 A at 40°C  
IEC 61076-2-104

Insulation resistance: >=100 MΩ  
IEC 60512

Pollution degree: 3  
IEC 60664-1

Degree of protection: IP 67, in mated condition  
IEC 60529

Temperature range: -25°C ... +95°C  
EN 60512-11-10  
-40°C ... +85°C  
EN 60512-11-4

Mating cycles: >=100  
IEC 60512-9a

**Materials:**

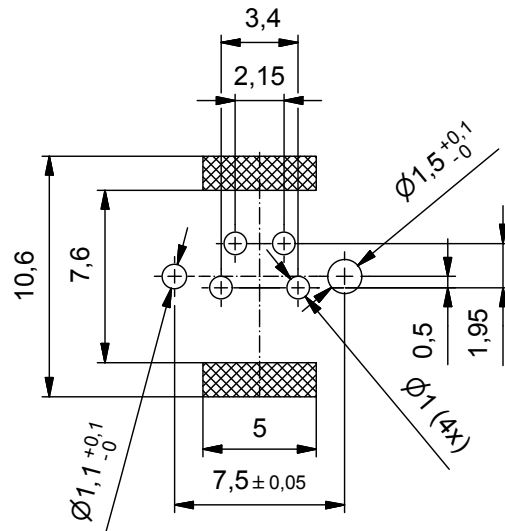
Contact: CuZn, Ni b / Au 0,2 gal.

Contact carrier: LCP GF, UL 94 V-0

Shroud: CuSn, nickel / sel. tin plated

Suitable for reflow soldering  
max. 60s / 250°C

**Layout proposal**



Part no. packing unit Tape & Reel:	Part no. packing unit in bulk:	Description:	Pos
42-01396TR	42-01396	SAL - 8S - IS4 / THR	4

DO NOT ALTER CAD DRAWING BY HAND RoHS & REACH compliant	Index: b 25.04.16 CS Ä6101 Change of tolerance in mating face	dim. in mm
		date name
		drawn 19.03.15 Gitinow
		appd. 19.03.15 Schramm
general tolerance:	0 ± 0,50mm 0,0 ± 0,25mm 0,00 ± 0,10mm * ± 5°	
THIS DRAWING MAY NOT BE COPIED OR REPRODUCED IN ANY WAY, AND MAY NOT BE PASSED ON TO A THIRD PARTY WITHOUT WRITTEN PERMISSION. OWNERSHIP AND COPYRIGHT OF CONEC GmbH		

CONEC

title: <b>Insulating body male M8x1 THR, shielded</b>
dwg no: <b>42K1A922</b>
part no: <b>see table</b>