

Technical specification:

Rated voltage: 50 V AC / 60 V DC
IEC 61076-2-104

Current rating: 4 A at 40°C
IEC 61076-2-104

Insulation resistance: >=100 MΩ
IEC 60512

Pollution degree: 3/2
IEC 60664-1

Degree of protection: IP 67, in mated condition
IEC 60529

Temperature range: -25°C ... +95°C
EN 60512-11-10
-40°C ... +85°C
EN 60512-11-4

Mating cycles: >=100
IEC 60512-9a

Materials:

Contact: CuZn, Ni b / Au 0,2 gal.

Contact carrier: LCP GF, UL 94 V-0

Shroud: CuSn, nickel / sel. tin plated

Sealing: FPM, NBR

Socket housing: CuZn, Ni

Suitable for reflow soldering
max. 60s / 250°C

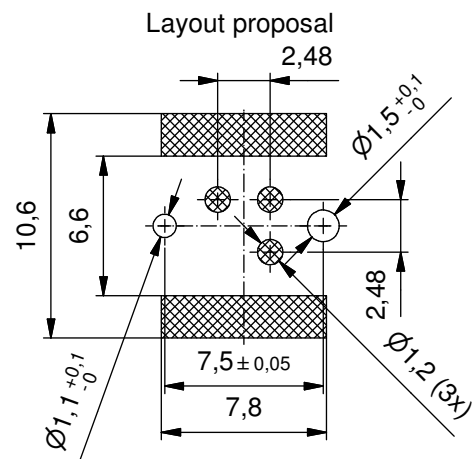
Coplanarity of all contacts and soldering sheets max 0,1mm

Installation specification:

Recommended torque: 1-1,2 Nm

Conec installation tool: Torque wrench: 36-000200
Insert across flats 13: 36-000220

Installation hole: See fig.1 42K1A1119



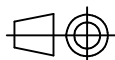
Part no. packing unit Tape & Reel:	Part no. packing unit in bulk:	Description:	Pos
42-01241TR	42-01241	SAL - 8S - FS3 - X9 / SMT	3

DO NOT ALTER CAD DRAWING BY HAND

RoHS & REACH compliant

Index: a 05.04.16 KH Ä6018

Marking in mating face removed, contact carrier: material information extended, soldering sheet and counter nut removed



dim. in mm

	date	name
drawn	11.03.15	Gitinow
appd.	17.03.15	Schramm

general tolerance: 0 ± 0,50mm
0,0 ± 0,25mm
0,00 ± 0,10mm
+ ± 5°



title:

Male socket M8x1 SMT, shielded, frontmounting, screwable / snap-in

dwg no:

42K1A767

part no:

see table

THIS DRAWING MAY NOT BE COPIED OR REPRODUCED IN ANY WAY, AND MAY NOT BE PASSED ON TO A THIRD PARTY WITHOUT WRITTEN PERMISSION. OWNERSHIP AND COPYRIGHT OF CONEC GmbH