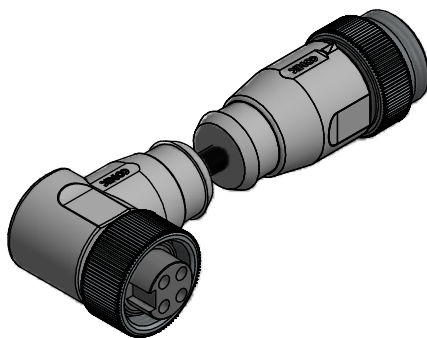


Contact assignment:

- 1) brown
- 2) white
- 3) blue
- 4) black

Technical specification:

Rated voltage: IEC 60664-1	300 V
Overvoltage category: IEC 60664-1	2
Overvoltage: IEC 60664-1	2,7 kV
Current rating: IEC 60512-3 at 40°C	0,75mm ² 1,5mm ² 8 A 10 A
Insulation resistance: IEC 60512	>=100 MΩ
Pollution degree: IEC 60664-1	3/2
Degree of protection: IEC 60529	IP 68, in mated condition
Temperature range: IEC 60664-1	-30°C ... +80°C
Mating cycles: IEC 60512-9a	>=100
Termination:	crimped
Materials:	
Contact:	CuZn
Contact plating:	Nickel, gold plated
Contact carrier:	TPU, UL 94
Coupling nut/ screw:	CuZn, nickel plated
Moulding body:	TPU, UL 94, grey



Part no:	Description:	Length L:	Cable:
41-01221	SAL - 7/8 - RKW4 - RS4 - 0,6 / K1	0,6m	TPU, UL 20549, black, 4x0,75mm ² Cable: 781-K1740G
41-01222	SAL - 7/8 - RKW4 - RS4 - 1 / K1	1m	
41-01223	SAL - 7/8 - RKW4 - RS4 - 1,5 / K1	1,5m	
41-01224	SAL - 7/8 - RKW4 - RS4 - 2 / K1	2m	
41-xxxxx	SAL - 7/8 - RKW4 - RS4 - ... / K1	x	
41-01269	SAL - 7/8 - RKW4 - RS4 - 0,6 / K1 / 150	0,6m	TPU, UL 20549, black, 4x1,50mm ² Cable: 781-K1840G
41-01270	SAL - 7/8 - RKW4 - RS4 - 1 / K1 / 150	1m	
41-01271	SAL - 7/8 - RKW4 - RS4 - 1,5 / K1 / 150	1,5m	
41-01272	SAL - 7/8 - RKW4 - RS4 - 2 / K1 / 150	2m	
41-xxxxx	SAL - 7/8 - RKW4 - RS4 - ... / K1 / 150	x	

D see data sheet cable

DO NOT ALTER CAD DRAWING BY HAND

Directive 2002/95/EC RoHS compliant

Index: c 13.10.10 KH Ä3736
technical specification changed, part no. cable in table added, neutral line added

tolerance of cable: L ≤ 4m: L + 40mm
L > 4m: L + 1%

THIS DRAWING MAY NOT BE COPIED OR REPRODUCED IN ANY WAY, AND MAY NOT BE PASSED ON TO A THIRD PARTY WITHOUT WRITTEN PERMISSION.
OWNERSHIP AND COPYRIGHT OF CONEC GmbH

dim. in mm	
date	name
drawn 12.02.08	Franz
appd. 12.02.08	Mankopf



title: **Connecting cable 7/8", female connector angled - male connector axial**

dwg no: **41K1A362**

part no: **see table**