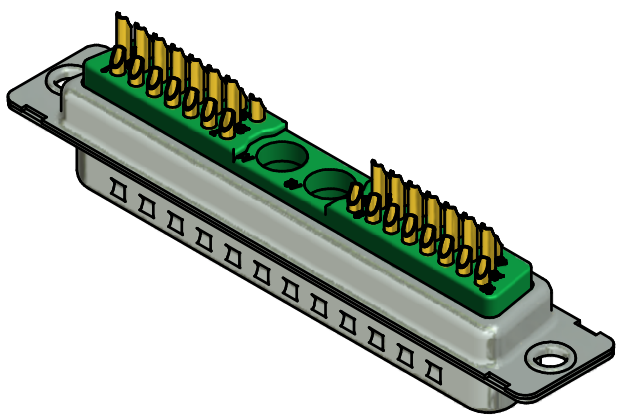
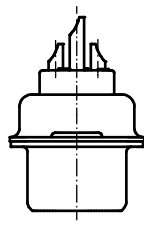
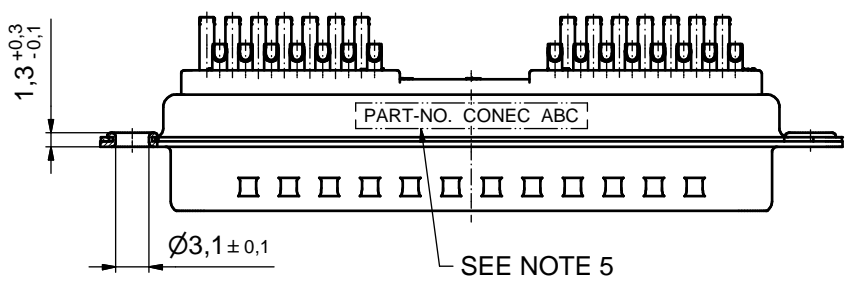
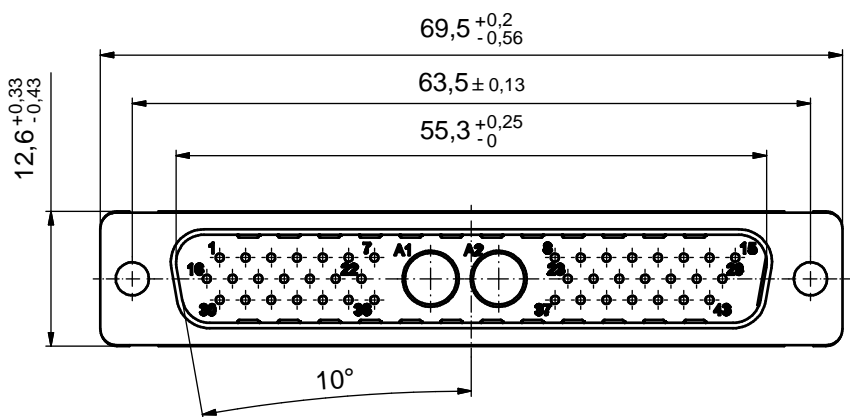
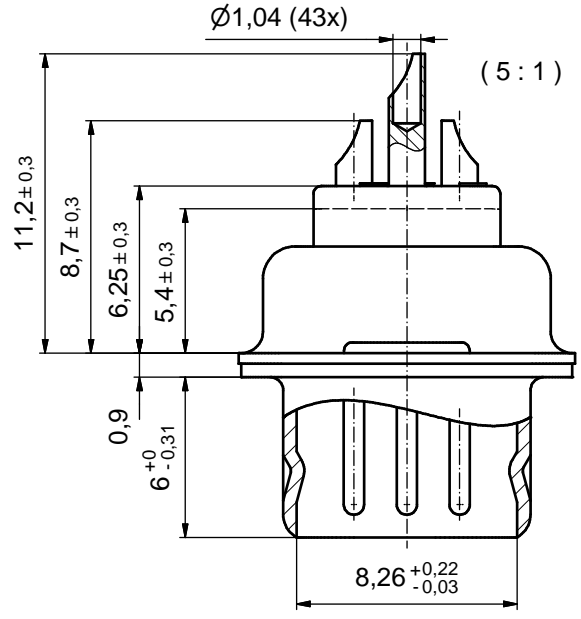


CONTACT PLATING	PART-NO.
SIGNAL CONTACTS GOLD FLASH over NICKEL	3H45W2PAM99A10X
SIGNAL CONTACTS 30µin HARD GOLD over 50µin NICKEL	3H45W2PCM99A10X



NOTES:

- METALSHELLS: STEEL; min. 315µin TIN over 40-80µin NICKEL
- INSULATORS: PBT GF UL 94 V-0; GREEN
- SIGNAL CONTACTS: COPPER ALLOY
PLATING: SEE TABLE
SOLDER CUP ACCEPTS CABLE AWG 22
- NO CONTACTS ON POS. A1 - A2
- CONNECTOR IS PART MARKED: PART-NO. CONEC ABC

Directive 2002/95/EC RoHS compliant

THIS DRAWING MAY NOT BE COPIED OR REPRODUCED IN ANY WAY, AND MAY NOT BE PASSED ON TO A THIRD PARTY WITHOUT WRITTEN PERMISSION. OWNERSHIP AND COPYRIGHT OF CONEC GmbH DO NOT ALTER CAD DRAWING BY HAND	tolerance		dim. in mm	scale: 2:1 (5:1)		
				material: SEE NOTES		
	date	name	title:			
	drawn 18.03.2013	Liedmann	D-SUB HD COMBINATION MALE 45W2P SOLDER CUP			
	appd. 18.03.2013	Koch				
norm		dwg no:		DIN-A3		
d-old		13K1A4242		sh: 1		
a Original		part no:		SEE TABLE		
rev.	description	date	name			