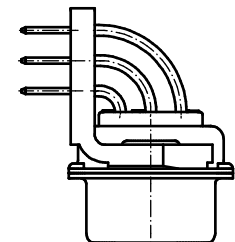
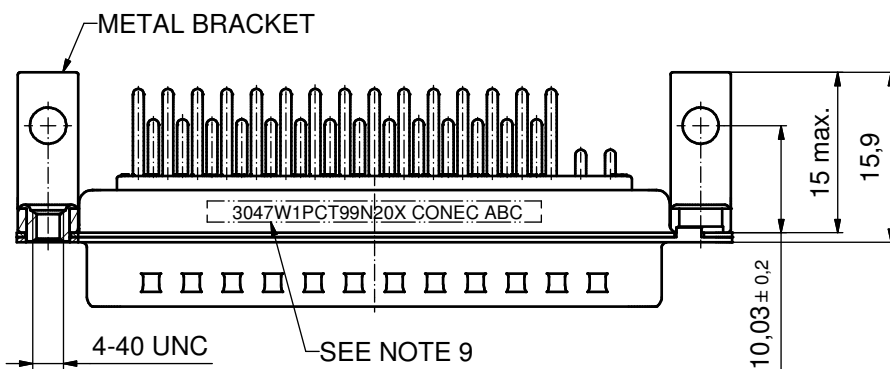
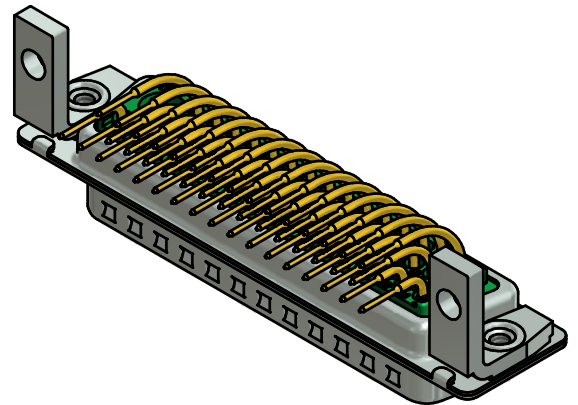
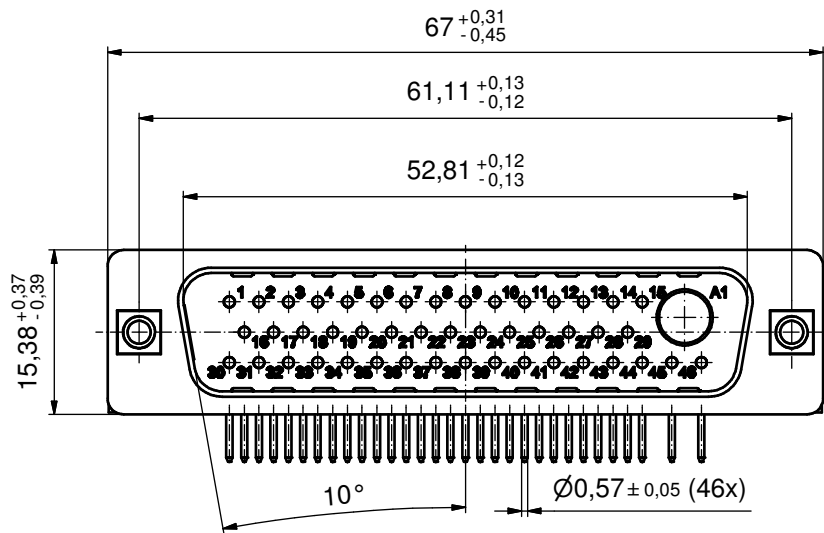
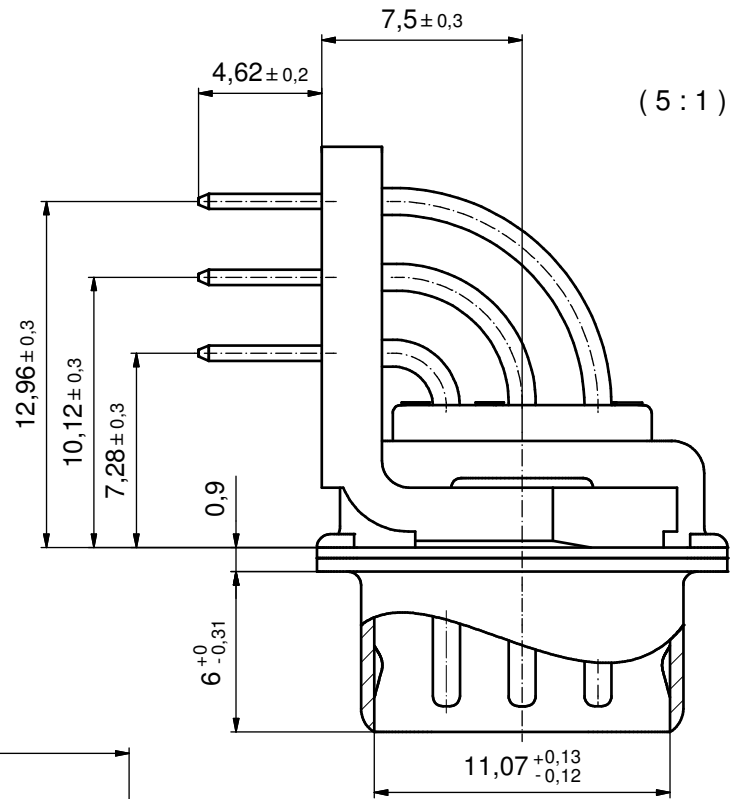


NOTES:

- METALSHELLS: STEEL; min. 315µin TIN over 40-80µin NICKEL
- INSULATORS: PBT GF UL 94 V-0; GREEN
- SIGNAL CONTACTS: COPPER ALLOY
PLATING: 30µin HARD GOLD over min. 50µin NICKEL
- NO CONTACT ON POS. A1
- METAL BRACKETS: STEEL; min. 320µin TIN over 80µin NICKEL
- THREADED INSERTS: COPPER ALLOY; min. 200µin TIN over 80µin NICKEL
- P.C.B HOLE DRILLINGS ON SHEET 2
- MAXIMUM TORQUE VALUE FOR THREAD: 6 in.LB
- CONNECTOR IS PART MARKED: 3047W1PCT99N20X CONEC ABC

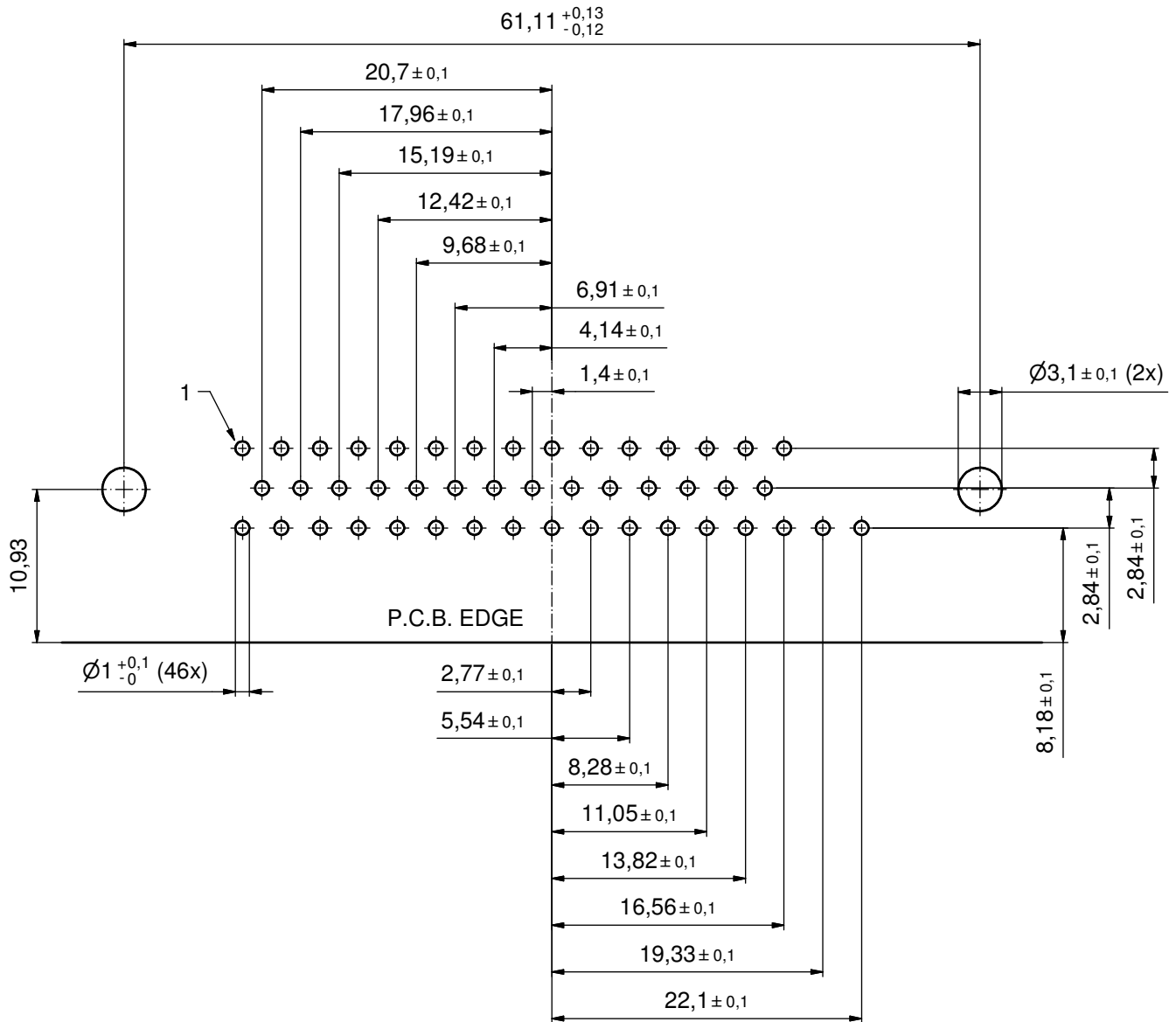


Directive 2002/95/EC RoHS compliant

THIS DRAWING MAY NOT BE COPIED OR REPRODUCED IN ANY WAY, AND MAY NOT BE PASSED ON TO A THIRD PARTY WITHOUT WRITTEN PERMISSION. OWNERSHIP AND COPYRIGHT OF CONEC GmbH DO NOT ALTER CAD DRAWING BY HAND	tolerance		dim. in mm		scale:	2:1 (5:1)	
					material:	see notes	
	date	name	drawn	11.02.11	Henneboel	title: D-SUB COMBINATION MALE 90° 47W1P with threaded insert and metal bracket	
			appd.	11.02.11	Koch		
			norm				
		d-old			dwg no:		
a	Origin	CONEC ®		13K1A3573		DIN-A3	
rev.	description			date	name	part no:	3047W1PCT99N20X

P.C.B. HOLE DRILLINGS

(P.C.B. TOP SIDE)



THIS DRAWING MAY NOT BE COPIED OR REPRODUCED IN ANY WAY, AND MAY NOT BE PASSED ON TO A THIRD PARTY WITHOUT WRITTEN PERMISSION. OWNERSHIP AND COPYRIGHT OF CONEC GmbH DO NOT ALTER CAD DRAWING BY HAND				tolerance		scale: 3:1		
				dim. in mm		material: see sheet 1		
	rev.	description	date	name	date	name	title: P.C.B. HOLE DRILLINGS D-SUB COMBINATION MALE 90° 47W1P with threaded insert and metal bracket	
	a	Origin			drawn	11.02.11		Henneboel
					appd.	11.02.11		Koch
					norm			
					d-old			dwg no:
					CONEC ®		13K1A3573	DIN-A3
							sh: 2	
					part no: SEE SHEET 1			