

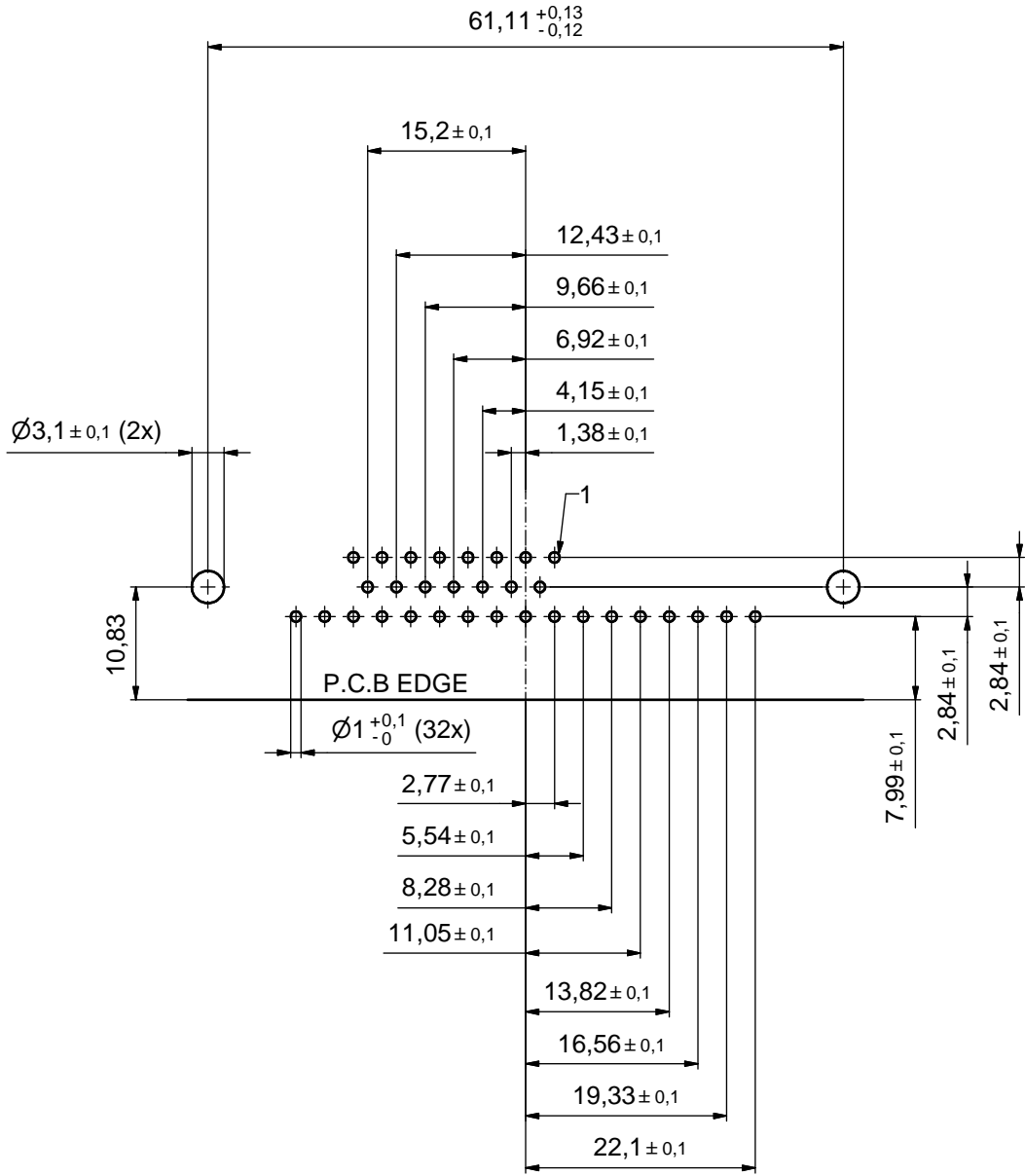
NOTES:

1. METAL SHELLS: STEEL; min. 315µm TIN over 40-80µm NICKEL
2. INSULATORS: PBT GF UL 94 V-0; GREEN
3. SIGNAL CONTACTS: COPPER ALLOY
PLATING: GOLD FLASH over NICKEL
4. NO CONTACTS ON POS. A1 - A4
5. METAL BRACKETS:
STEEL; min. 320µm TIN over 80µm NICKEL
6. THREADED LOCKS: COPPER ALLOY; min. 200µm TIN over 80µm NICKEL
7. P.C.B. HOLE DRILLINGS ON SHEET 2
8. MAXIMUM TORQUE VALUE FOR THREAD: 6 in.LB
9. CONNECTOR IS PART MARKED: 3036W4SAT99P20X CONEC ABC

Directive 2002/95/EC RoHS compliant

THIS DRAWING MAY NOT BE COPIED OR REPRODUCED IN ANY WAY, AND MAY NOT BE PASSED ON TO A THIRD PARTY WITHOUT WRITTEN PERMISSION. OWNERSHIP AND COPYRIGHT OF CONEC GmbH DO NOT ALTER CAD DRAWING BY HAND	tolerance		dim. in mm		scale: 2:1 (51)	
					material: see notes	
					title:	
			date		D-SUB COM. FEMALE 90° 36W4S with threaded lock and metal bracket	
			name		dwg no:	
			drawn 20.12.12 Henneboel		13K1A4139	
			appd. 20.12.12 Fischer		DIN-A3	
			norm		sh: 1/2	
			d-old		part no: 3036W4SAT99P20X	
	a Original					
rev.	description	date	name			

P.C.B. HOLE DRILLINGS
(P.C.B. TOP SIDE)



THIS DRAWING MAY NOT BE COPIED OR REPRODUCED IN ANY WAY, AND MAY NOT BE PASSED ON TO A THIRD PARTY WITHOUT WRITTEN PERMISSION. OWNERSHIP AND COPYRIGHT OF CONEC GmbH DO NOT ALTER CAD DRAWING BY HAND				tolerance	 dim. in mm	scale: 2:1	
							material: see sheet 1
				date	name	title: P.C.B. HOLE DRILLINGS D-SUB COMBINATION FEMALE 90°, 36W4S with threaded lock and metal bracket	
				drawn 20.12.12	Henneboel		
				appd. 20.12.12	Fischer		
				norm		dwg no:	DIN-A3
				d-old		13K1A4139	sh: 2/2
a	Original		CONEC ®			part no:	SEE SHEET 1
rev.	description	date				name	