

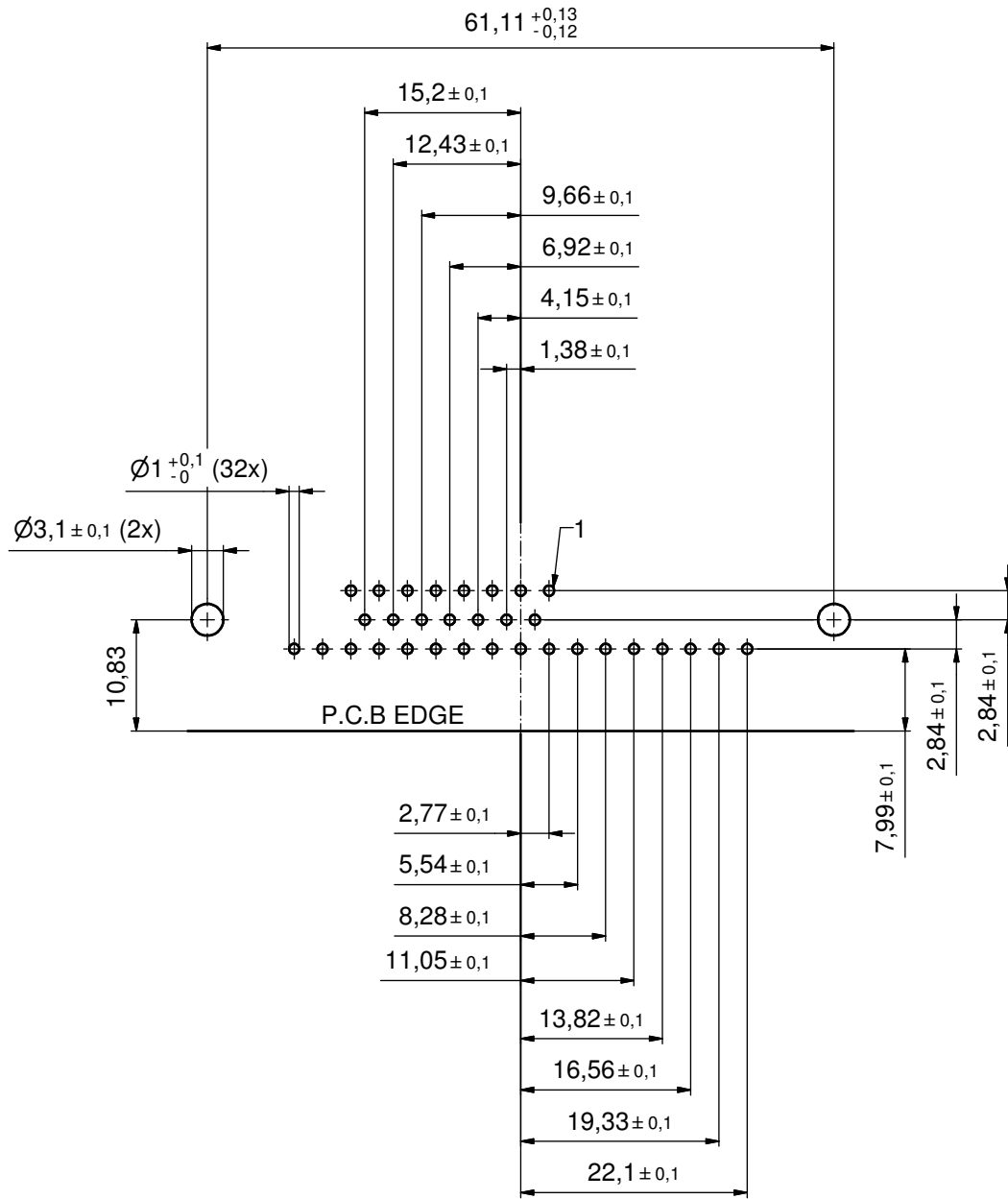
**NOTES:**



1. METAL SHELLS: STEEL; min. 315µm TIN over 40-80µm NICKEL
2. INSULATORS: PBT GF UL 94 V-0; GREEN
3. SIGNAL CONTACTS: COPPER ALLOY  
PLATING: GOLD FLASH over NICKEL
4. NO CONTACTS ON POS. A1-A4
5. METAL BRACKETS: STEEL; min. 320µm TIN over 80µm NICKEL
6. THREADED INSERTS: COPPER ALLOY; min. 200µm TIN over 80µm NICKEL
7. PCB-SNAPS: COPPER ALLOY; min. 200µm TIN over 80µm NICKEL  
PCB-HOLE: Ø3,1±0,1; PCB THICKNESS 1,6mm
8. P.C.B. HOLE DRILLINGS ON SHEET 2
9. MAXIMUM TORQUE VALUE FOR THREAD: 6 in.LB
10. CONNECTOR IS PART MARKED: 3036W4SAT99N40X CONEC ABC

RoHS compliant

THIS DRAWING MAY NOT BE COPIED OR REPRODUCED IN ANY WAY, AND MAY NOT BE PASSED ON TO A THIRD PARTY WITHOUT WRITTEN PERMISSION. OWNERSHIP AND COPYRIGHT OF CONEC GmbH  DO NOT ALTER CAD DRAWING BY HAND	tolerance		dim. in mm	scale: 2:1 (51)		
				material: see notes		
	drawn	30.01.15	Henneboel	title: <b>D-SUB COM. FEMALE 90°</b> 36W4S with threaded insert, metal bracket and snap		
	appd.	30.01.15	Lehmenkühler			
	norm					
	d-old					
rev.	a	Original			dwg no: 13K1A4881 part no: 3036W4SAT99N40X	
				DIN-A3	sh: 1/2	

P.C.B. HOLE DRILLINGS  
(P.C.B. TOP SIDE)



THIS DRAWING MAY NOT BE COPIED OR REPRODUCED IN ANY WAY, AND MAY NOT BE PASSED ON TO A THIRD PARTY WITHOUT WRITTEN PERMISSION. OWNERSHIP AND COPYRIGHT OF CONEC GmbH  DO NOT ALTER CAD DRAWING BY HAND					tolerance	 dim. in mm	scale: 2:1	
							material: see sheet 1	
					date	name	title: <b>P.C.B. HOLE DRILLINGS</b> D-SUB COMBINATION FEMALE 90°, 36W4S with threaded insert, metal bracket and snap	
					drawn 30.01.15	Henneboel		
					appd. 30.01.15	Lehmenkühler		
					norm			
					d-old		dwg no:	
	a	Original					13K1A4881	DIN-A3
	rev.	description	date	name			part no: SEE SHEET 1	sh: 2/2