

**Technical specification/  
Technische Daten:**

Dielectric withstanding voltage/ Spannungsfestigkeit:	1000 V, 50 Hz 1 min.
Current rating/ Strombelastbarkeit:	Signal contact/ 7,5 A (UL) Signalkontakt: 5 A (CSA, VDE)
Insulation resistance/ Isolationswiderstand:	≥ 5 GΩ
Temperature range/ Temperaturbereich:	- 55 °C ... + 125 °C
Mating cycles/ Steckzyklen:	Quality class 3 = 50 Gütestufe 3

**Materials/  
Werkstoffe:**

Contact/ Kontakt:	Cu alloy, Au over Ni
Insulator/ Isolierkörper:	PBT GF UL 94 V-0, green/grün
Shell/ Gehäuse:	Steel, Sn over Ni
Metal bracket/ Metallwinkel:	GD-Zn, Cu / Ni / Sn
Threaded front lock/ Gewinde-Abstandsbolzen:	Cu alloy, Sn over Ni

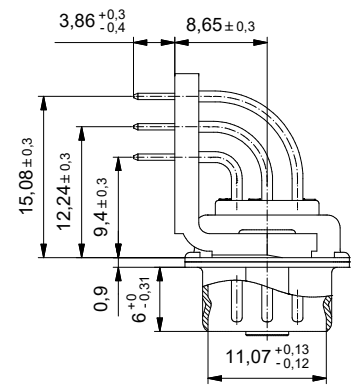
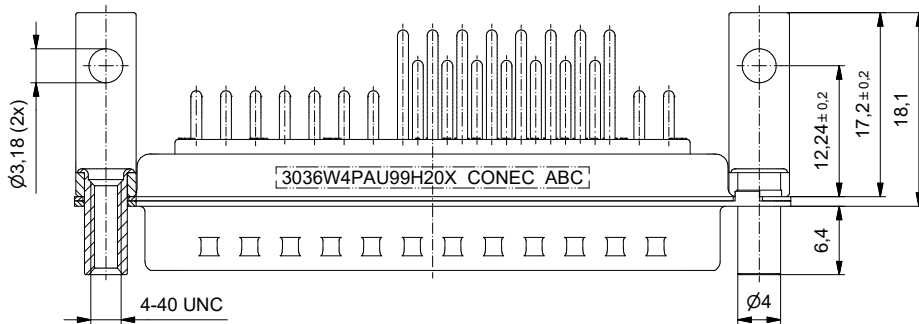
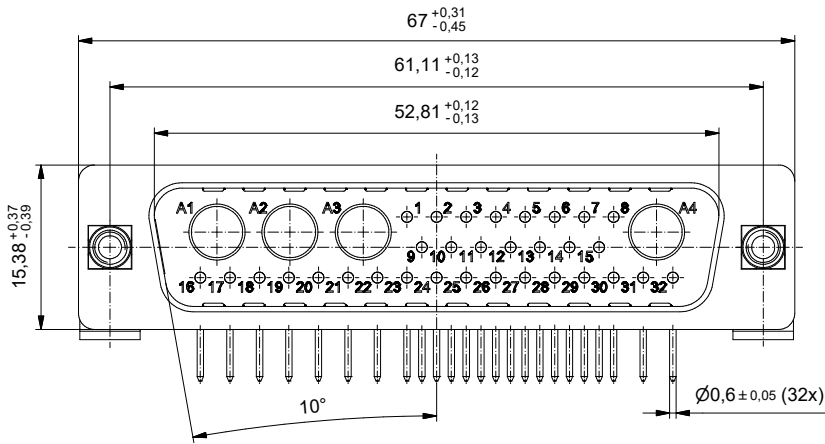
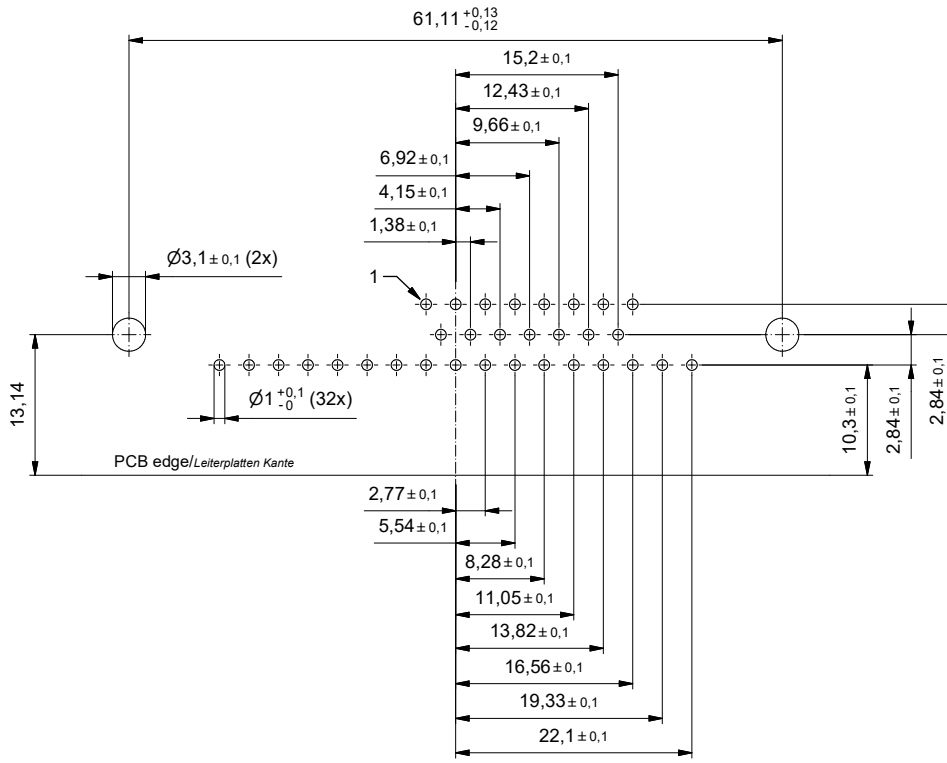
**Installation specification/  
Montagedaten:**

Recommended torque value for thread/ Empfohlenes Drehmoment für Gewinde:	max. 6 in.LB/max. 67 Ncm
PCB hole drillings/ Leiterplattenbohrbild:	see sheet 2/siehe Seite 2

Part no. / Part marked/ Art.-Nr. / Bedruckung:	3036W4PAU99H20X	Contact plating/ Kontakt Veredelung:	Signal contact Signalkontakt:	gold flash over nickel Gold über Nickel						
			No contact on Pos. A1 - A4 Kein Kontakt an Pos. A1 - A4							
				dim. in mm						
				Date/Datum						
				Name						
				drawn/gez.						
				09.01.2019						
				Lehmenkühler						
				appd./gepr.						
				09.01.2019						
				Henneboel						
Index:	a Original	scale/ Maßstab:	2:1		D-SUB Combination Male 90° 36W4P with threaded front lock and metal bracket D-SUB Combination Stiftleiste 90° 36W4P mit Gewinde-Abstandsbolzen und Metallwinkel	dwg no / Z.-nr.: 13K1A5741	DIN- A3			
Status:	InBearbeitung									
RoHS compliant/ konform										1 / 2

This reproduction, distribution and utilization of this document as well as the communication of its contents to others without express authorization is prohibited. Offenders will be held liable for the payment of damages. For further information on our legal notices, please refer to our website: www.conec.com.

PCB hole drillings  
(PCB top side)  
Leiterplattenbohrbild  
(Leiterplatten Oberseite):



		dim. in mm		D-SUB Combination Male 90° 36W4P with threaded front lock and metal bracket D-SUB Combination Stiftleiste 90° 36W4P mit Gewinde-Abstandsbolzen und Metallwinkel	
		Date/Datum	Name		
		drawn/gez.	09.01.2019	Lehmenkühler	
		appd./gepr.	09.01.2019	Henneboel	
Index:	a Original	scale/ Maßstab:	2:1	dwg no / Z.-nr.:	13K1A5741
Status:	InBearbeitung			DIN-	A3
RoHS compliant/ konform					

This reproduction, distribution and utilization of this document as well as the communication of its contents to others without express authorization is prohibited. Offenders will be held liable for the payment of damages. For further information on our legal notices please refer to our privacy policy (www.conec.com/privacy-policy) and our terms of use (www.conec.com/terms-of-use).