

**Technical specification/**

**Technische Daten:**

Dielectric withstanding voltage/ Spannungsfestigkeit:	1000 V, 50 Hz 1 min.
Current rating/ Strombelastbarkeit:	Signal contact/ 7,5 A (UL) Signalkontakt: 5 A (CSA,VDE)
Impedance/ Impedanz:	Coaxial contact/ 50 Ohm Koaxialkontakt:
Insulation resistance/ Isolationswiderstand:	≥ 5 GΩ
Temperature range/ Temperaturbereich:	- 55 °C ... + 125 °C
Mating cycles/ Steckzyklen:	
Signal contact/ Signalkontakt:	Quality class 3 = 50 Gütestufe 3
Coaxial contact/ Koaxialkontakt:	Quality class 1 = 500 Gütestufe 1

**Materials/  
Werkstoffe:**

Signal contact/ Signalkontakt:	Cu alloy, Au over Ni
Coaxial contact/ Koaxialkontakt:	Cu alloy, plating, inner conductor/ Au over Ni Veredelung, Innenleiter: plating, outer conductor/ Au over Ni Veredelung, Aussenleiter: mating area/ Au over Ni Steckbereich: termination side/ Au over Ni Anschluss Seite:

Insulator/ Isolierkörper:	PBT GF UL 94 V-0, green/grün
Shell/ Gehäuse:	Steel, Sn over Ni
Threaded insert/ Gewindeinsatz:	Cu alloy, Sn over Ni
Metal bracket/ Metallwinkel:	GD-Zn, Sn over Ni

**Installation specification/**

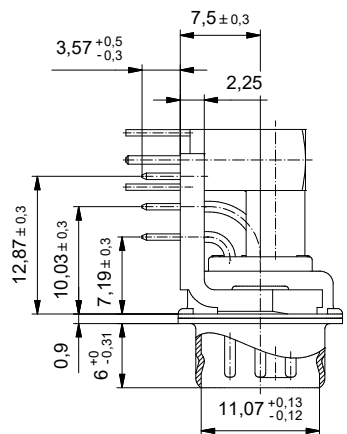
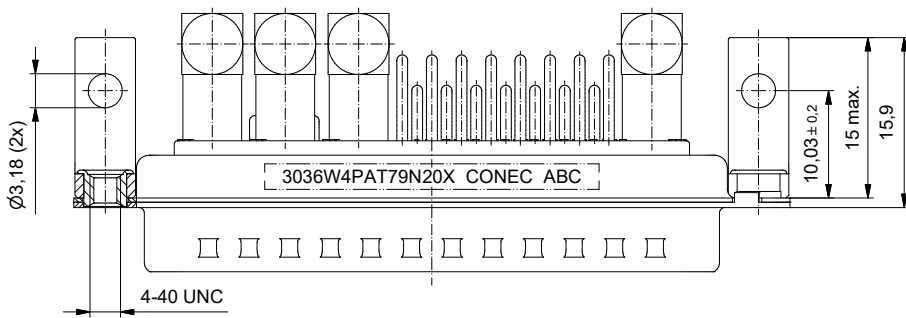
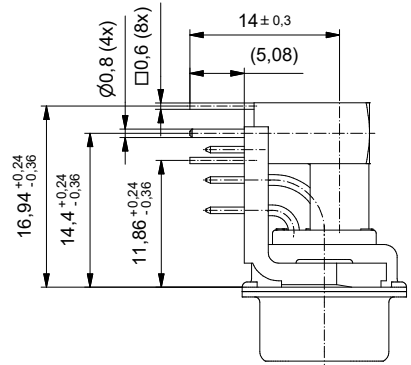
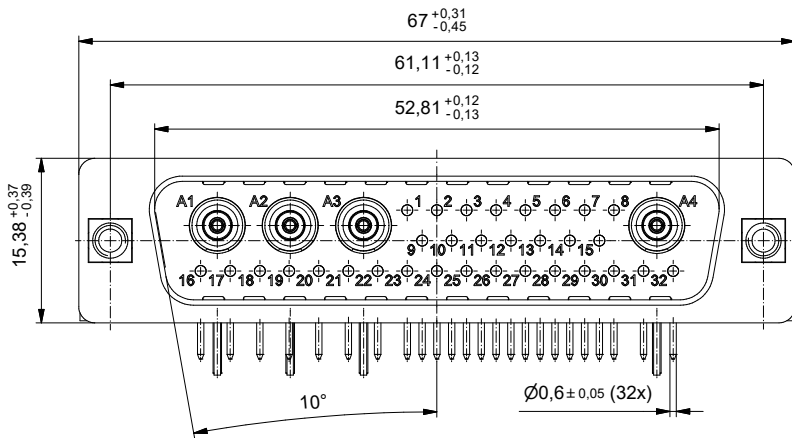
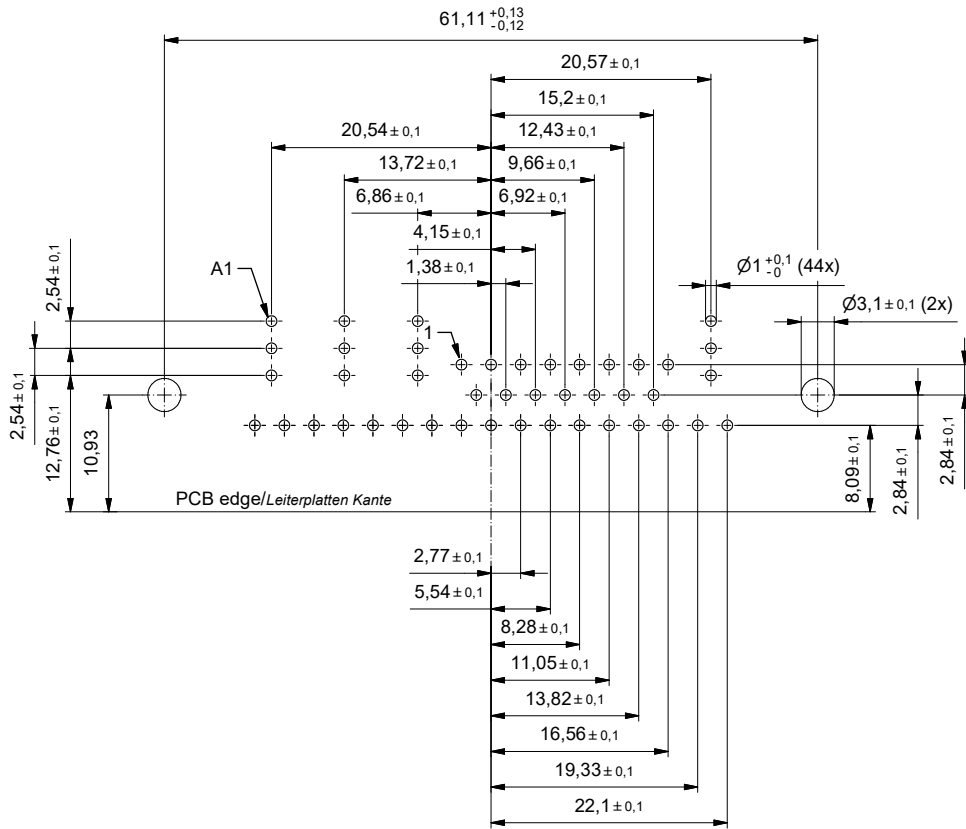
**Montagedaten:**

Recommended torque value for thread/ Empfohlenes Drehmoment für Gewinde:	max. 6 in.LB/ max. 67 Ncm
PCB hole drillings/ Leiterplattenbohrbild:	see sheet 2/ siehe Seite 2

Part no. / Part marked/ Art.-Nr. / Bedruckung:	3036W4PAT79N20X	Contact plating/ Kontakt Veredelung:	Signal contact/ Signalkontakt:	gold flash over nickel Gold über Nickel
			Coaxial contact 50 Ohm/ Koaxialkontakt 50 Ohm:	plating, inner conductor: Veredelung, Innenleiter: plating, outer conductor: Veredelung, Aussenleiter: mating area/ Steckbereich: termination side/ Anschluss Seite:
				50 µin hard gold over min. 50 µin nickel 50 µin Gold über min. 50 µin Nickel 30 µin hard gold over min. 50 µin nickel 30 µin Gold über min. 50 µin Nickel gold flash over nickel Gold über Nickel
				dim. in mm
				Date/Datum
				Name
				04.11.2020
				Lehmenkühler
				04.11.2020
				Koch
Index: a Original	Scale/ Maßstab: 2:1			D-SUB Combination Male 90° 36W4P with threaded insert and metal bracket D-SUB Combination Stiftleiste 90° 36W4P mit Gewindeinsatz und Metallwinkel
RoHS compliant/ konform				dwg no / Z.-nr.: 13K1A6174
				DIN-A3
				1 / 2

This reproduction, distribution and utilization of this document as well as the communication of its contents to others without express authorization is prohibited. Offenders will be held liable for the payment of damages. For further information on our legal notices, please refer to our website: www.conec.com. In order to avoid any liability, we do not accept any responsibility for the use of this document.

PCB hole drillings  
(PCB top side)  
Leiterplattenbohrbild  
(Leiterplatten Oberseite)



This reproduction, distribution and utilization of this document as well as the communication of its contents to others without express authorization is prohibited. Offenders will be held liable for the payment of damages. For further information on our copyright and liability policies, please refer to our website: www.conec.com. The reproduction, distribution and utilization of this document as well as the communication of its contents to others without express authorization is prohibited. Offenders will be held liable for the payment of damages. For further information on our copyright and liability policies, please refer to our website: www.conec.com.

		dim. in mm		<b>D-SUB Combination Male 90° 36W4P with threaded insert and metal bracket D-SUB Combination Stiftleiste 90° 36W4P mit Gewindeinsatz und Metallwinkel</b>				
		Date/Datum	Name			dwg no / Z.-nr.: <b>13K1A6174</b>		
		drawn/ gez.	04.11.2020					Lehmenkühler
		appd./ gepr.	04.11.2020					Koch
Index: a Original	scale/ Maßstab: 2:1	<b>CONEC</b>		DIN-A3	2 / 2			