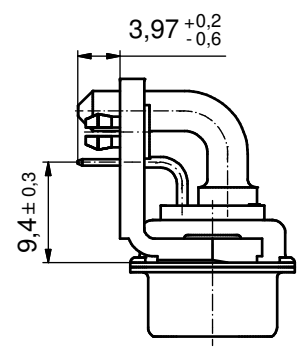
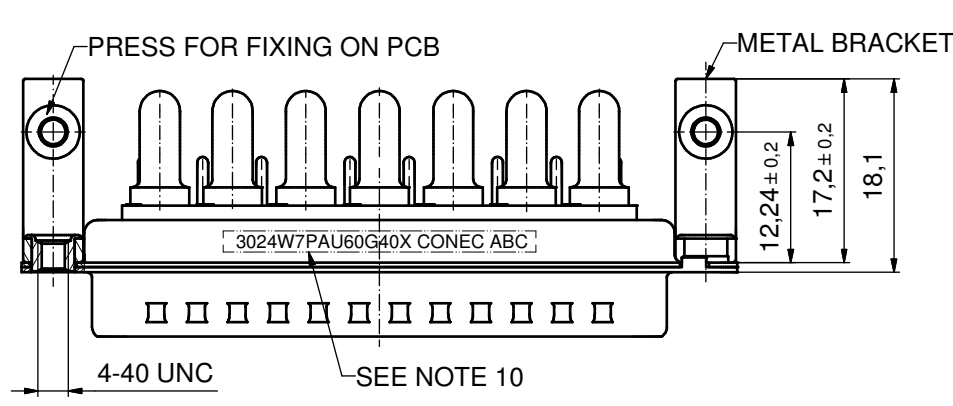
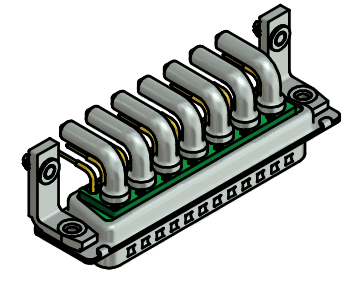
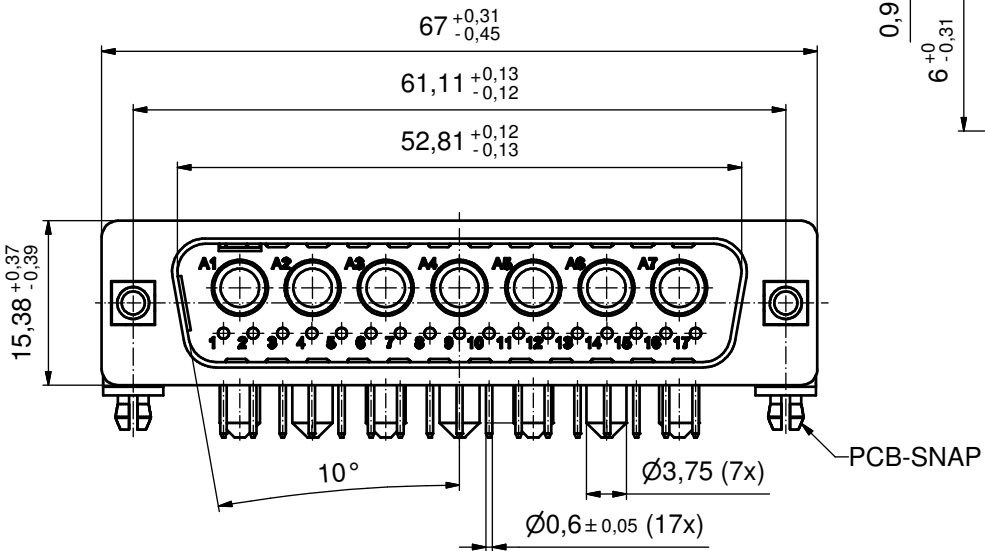
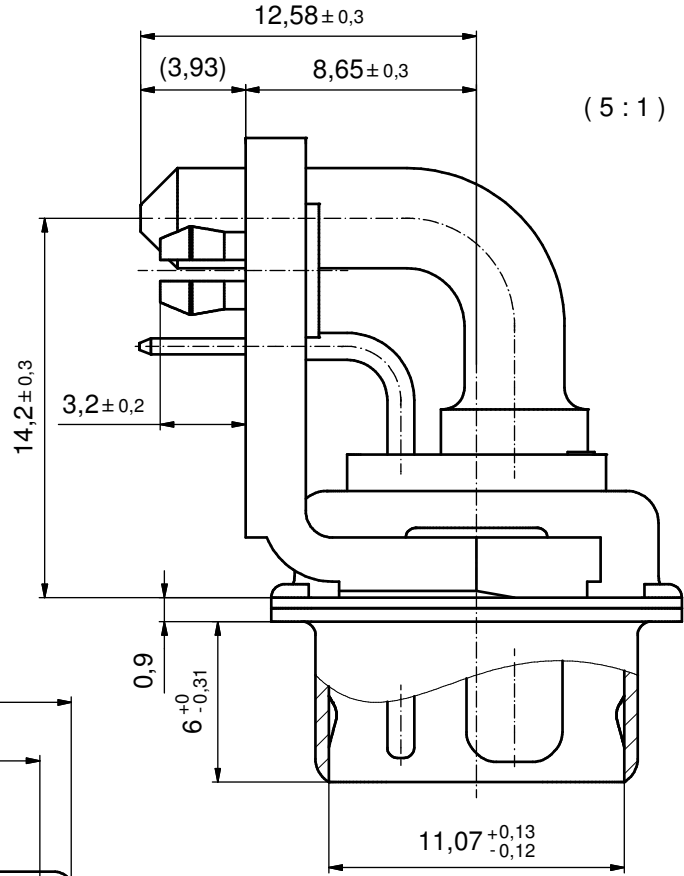


NOTES:

1. METAL SHELLS: STEEL; min. 315µm TIN over 40-80µm NICKEL
2. INSULATORS: PBT GF UL 94 V-0; GREEN
3. SIGNAL CONTACTS: COPPER ALLOY  
PLATING: GOLD FLASH over NICKEL
4. HIGH POWER CONTACTS 40A: COPPER ALLOY  
PLATING, MATING AREA: 30µm HARD GOLD over min. 50µm NICKEL  
PLATING, TERMINATION SIDE: 160-240µm TIN over 80µm NICKEL
5. THREADED INSERTS: COPPER ALLOY;  
min. 200µm TIN over 80µm NICKEL
6. METAL BRACKETS: STEEL; 320µm TIN over 80µm NICKEL
7. PCB-SNAPS: COPPER ALLOY; min. 200µm TIN over 80µm NICKEL  
PCB-HOLE:  $\varnothing 3,1 \pm 0,1$ mm; PCB-THICKNESS: 1,6mm
8. P.C.B. HOLE DRILLINGS ON SHEET 2
9. MAXIMUM TORQUE VALUE FOR THREAD: 6 in.LB
10. CONNECTOR IS PART MARKED: 3024W7PAU60G40X CONEC ABC



RoHS compliant

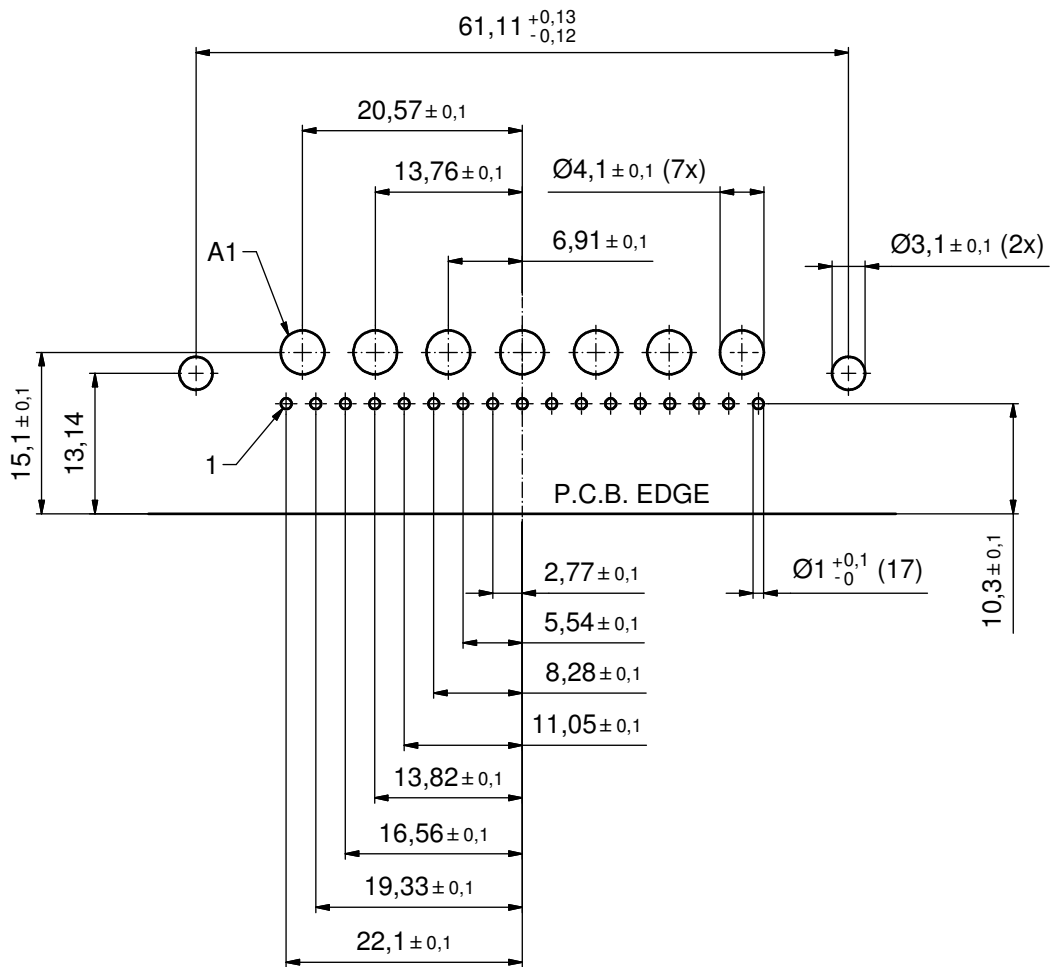
THIS DRAWING MAY NOT BE COPIED OR REPRODUCED IN ANY WAY, AND MAY NOT BE PASSED ON TO A THIRD PARTY WITHOUT WRITTEN PERMISSION. OWNERSHIP AND COPYRIGHT OF CONEC GmbH

DO NOT ALTER CAD DRAWING BY HAND

tolerance		dim. in mm	
date	name	date	name
drawn 18.03.15	Henneboel	date	name
appd. 18.03.15	Schmidt	date	name
norm		date	name
d-old		date	name
a	Original	<b>CONEC</b> <sup>®</sup>	
rev.	description		
date	name		

scale:	2:1 (5:1)
material:	see notes
title:	
D-SUB COMBINATION MALE 90°	
24W7P 0.370inch	
with threaded insert; metal bracket and snap	
dwg no:	DIN-A3
	sh: 1/2
part no:	3024W7PAU60G40X

P.C.B. HOLE DRILLINGS  
(P.C.B TOP SIDE)



THIS DRAWING MAY NOT BE COPIED OR REPRODUCED IN ANY WAY, AND MAY NOT BE PASSED ON TO A THIRD PARTY WITHOUT WRITTEN PERMISSION. OWNERSHIP AND COPYRIGHT OF CONEC GmbH DO NOT ALTER CAD DRAWING BY HAND				tolerance	 dim. in mm	scale: 2:1	
				date		name	material: SEE SHEET 1
				drawn	18.03.15	Henneboel	title: <b>P.C.B. HOLE DRILLINGS</b> D-SUB COMBINATION MALE 90° 24W7P with threaded insert, metal bracket and snap
				appd.	18.03.15	Schmidt	
				norm			
				d-old			dwg no:
	a	Original					13K1A4921
rev.	description	date	name				part no: SEE SHEET 1