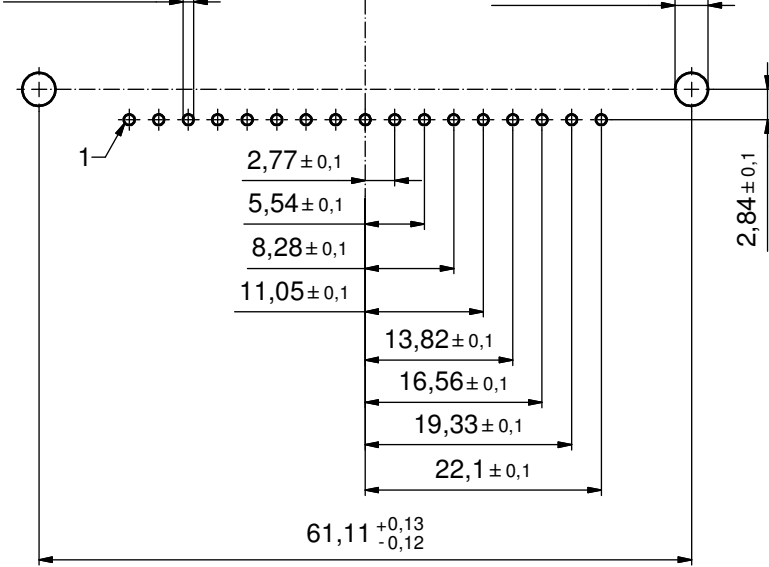


$\varnothing 1^{+0,1}_0$  (17x)

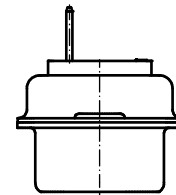
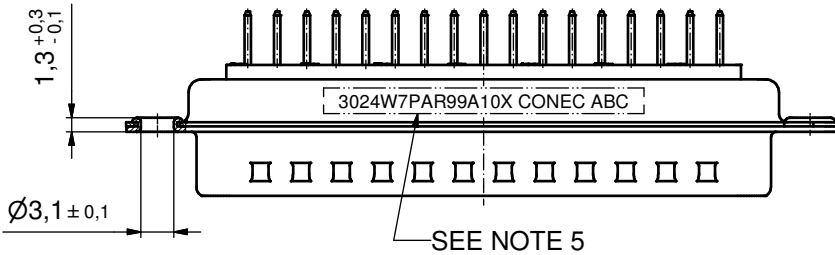
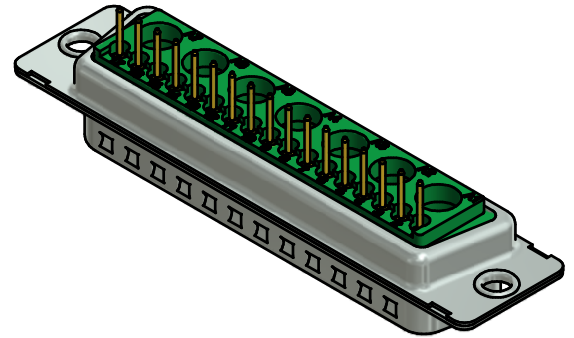
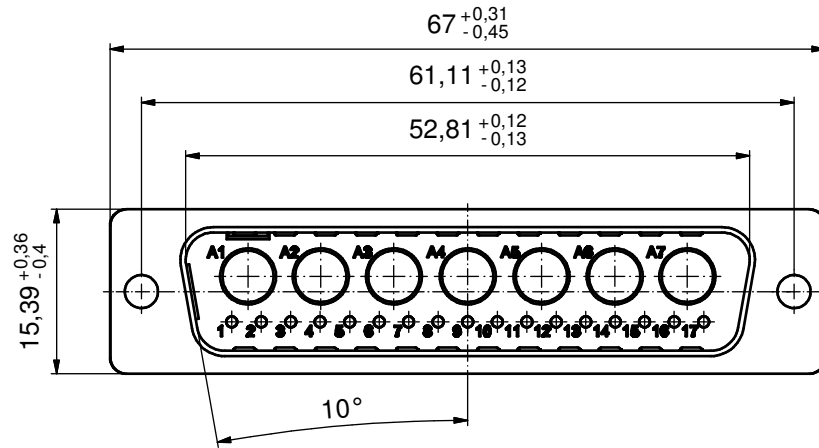
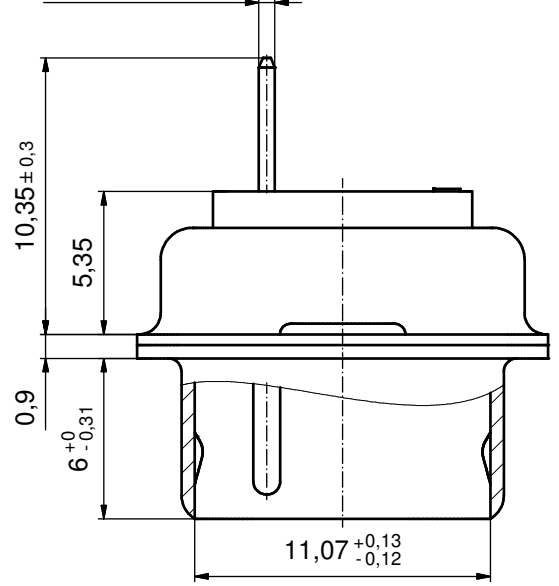
$\varnothing 3,1 \pm 0,1$  (2x)



P.C.B. HOLE DRILLINGS  
(P.C.B. TOP SIDE)

$\varnothing 0,6 \pm 0,05$  (17x)

(5 : 1)



NOTES:

1. METALSHELLS: STEEL; min. 315µin TIN over 40-80µin NICKEL
2. INSULATORS: PBT GF UL 94 V-0, GREEN
3. SIGNAL CONTACTS: COPPER ALLOY  
PLATING: GOLD FLASH over NICKEL
4. NO CONTACTS ON POS. A1 - A7
5. CONNECTOR IS PART MARKED: 3024W7PAR99A10X CONEC ABC

RoHS compliant

THIS DRAWING MAY NOT BE COPIED OR REPRODUCED IN ANY WAY, AND MAY NOT BE PASSED ON TO A THIRD PARTY WITHOUT WRITTEN PERMISSION. OWNERSHIP AND COPYRIGHT OF CONEC GmbH DO NOT ALTER CAD DRAWING BY HAND	tolerance		dim. in mm	scale: 2:1 (5:1)		
				material: see notes		
	drawn	11.09.15	Henneboel	title: <b>D-SUB COMBINATION MALE</b> 24W7P		
	appd.	11.09.15	Lehmenkühler			
	norm					
rev.	a	Original			dwg no: 13K1A5043 DIN-A3 sh: 1	
description			part no: 3024W7PAR99A10X			