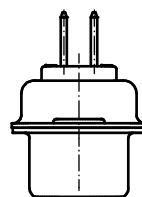
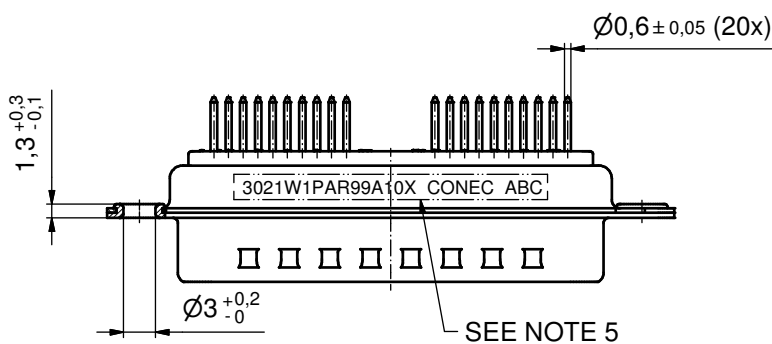
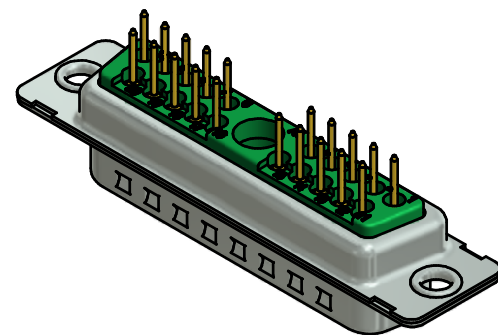
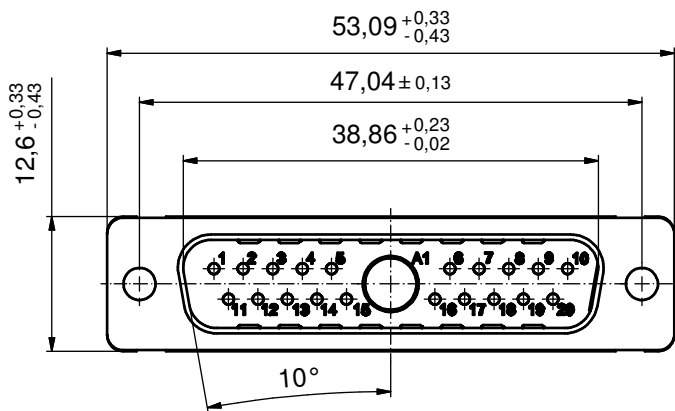
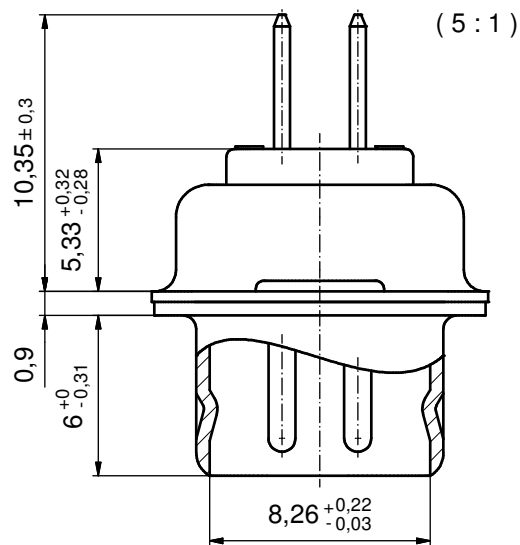


P.C.B. HOLE DRILLINGS  
(P.C.B. TOP SIDE)



NOTES:

- METALSHELLS: STEEL; min. 315µm TIN over 40-80µm NICKEL
- INSULATORS: PBT GF UL 94 V-0; GREEN
- SIGNAL CONTACTS: COPPER ALLOY  
PLATING: GOLD FLASH over NICKEL
- NO CONTACT ON POS. A1
- CONNECTOR IS PART MARKED: 3021W1PAR99A10X CONEC ABC

Directive 2002/95/EC RoHS compliant

THIS DRAWING MAY NOT BE COPIED OR REPRODUCED IN ANY WAY, AND MAY NOT BE PASSED ON TO A THIRD PARTY WITHOUT WRITTEN PERMISSION. OWNERSHIP AND COPYRIGHT OF CONEC GmbH DO NOT ALTER CAD DRAWING BY HAND	tolerance			dim. in mm	scale: 2:1 (5:1)	
					material: SEE NOTES	
				date	name	
				drawn 29.11.11	Henneboel	
				appd. 29.11.11	Koch	
				norm		
			d-old			
			title: D-SUB COMBINATION MALE 21W1P			
			dwg no: Inventor 10		DIN-A3	
			13K1A3841		sh: 1	
			part no: 3021W1PAR99A10X			
rev.	description	date	name			
a	Original					