



Technical specification/

Technische Daten:

Temperature range/ - 55 °C ... + 125 °C
 Temperaturbereich:

Materials/

Werkstoffe:

Insulator/
Isolierkörper: PBT GF UL 94 V-0, black/schwarz

Shell/
Gehäuse: Steel, Sn over Ni

Threaded insert/
Gewindeinsatz: Cu alloy, Sn over Ni

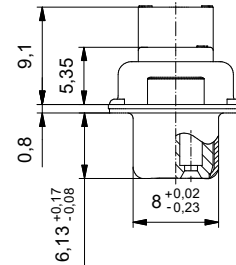
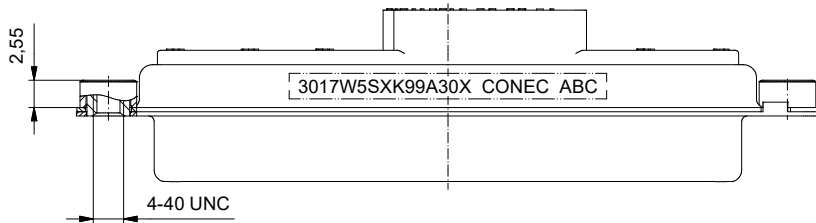
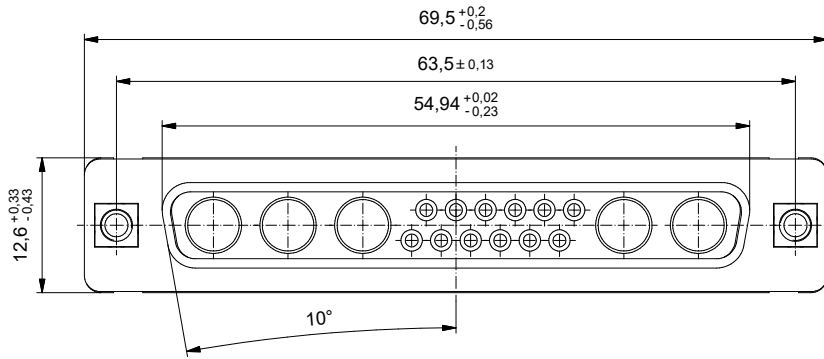
Collar/
Scheibe: Cu alloy, Sn over Ni

Installation specification/

Montagedaten:

Recommended torque
value for thread/ max. 6 in.LB/

Empfohlenes Drehmoment
für Gewinde: max. 67 Ncm



Part no. / Part marked/ Art.-Nr. / Bedruckung:	3017W5SXX99A30X	Contact plating / Kontakt Veredelung:			
		Signal contact/ Signalkontakt:	Connector will be supplied without signal contacts Steckverbinder wird ohne Signalkontakte geliefert		
		High power contact/ Hochstromkontakt:	Connector will be supplied without high power contacts Steckverbinder wird ohne Hochstromkontakte geliefert		
general tolerance/ Allgemeintoleranz:	0 ± 0,50 mm 0,0 ± 0,25 mm 0,00 ± 0,10 mm	Scale/Maßstab:	2:1	dim. in mm	D-SUB Combination Female 17W5S Crimp Style with threaded insert D-SUB Combination Buchsenleiste 17W5S Crimp Style mit Gewindeinsatz
Index:	a Original			dwg no / Z.-nr.:	13K1A6650
					DIN-A3
					1 / 1

The reproduction, distribution and sale of this document as well as the communication of its contents to others without express authorization is prohibited. Offenders will be held liable for the payment of damages. We reserve the right to withdraw from circulation and/or to destroy documents supplied to us. Any document supplied to you remains our property.