

NOTES:

1. METALSHELLS: STEEL; min. 315µm TIN over 40-80µm NICKEL
2. INSULATORS: PBT GF UL 94 V-0, GREEN
3. SIGNAL CONTACTS: COPPER ALLOY
PLATING: 8µm HARD GOLD over min. 50µm NICKEL
4. COAXIAL CONTACTS 50 OHM: COPPER ALLOY
PLATING INNER CONDUCTOR: 50µm HARD GOLD over min. 50µm NICKEL
PLATING OUTER CONDUCTOR: 30µm HARD GOLD over 50µm NICKEL
5. METAL BRACKET: ZINC DIE CAST; 300µm COPPER/ 40-120µm NICKEL/ 120-200µm TIN
6. THREADED INSERT: COPPER ALLOY; min. 200µm TIN over 80µm NICKEL
7. PCB-SNAP: COPPER ALLOY; min. 200µm TIN over 80µm NICKEL
PCB-HOLE: $\varnothing 3.1 \pm 0.1$; PCB THICKNESS 1.6 mm
8. MAXIMUM TORQUE VALUE FOR THREAD: 6 in.LB
9. CONNECTOR IS PART MARKED: 3013W3PAT78N40X CONEC ABC

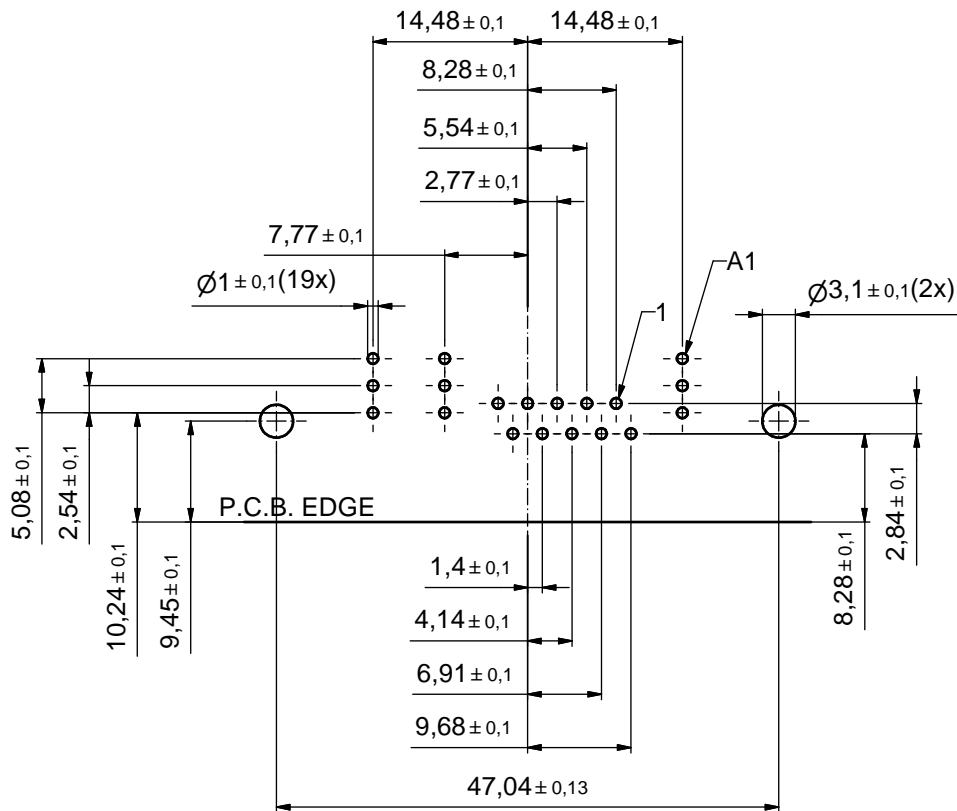
Directive 2002/95/EC
„RoHS“
Compliant

APPROVAL # FREIGABE # DEBLOCAGE # AUTORIZACION # APPROVAL	
CUSTOMER APPROVAL DATE:	
NAME:	TITLE:
COMPANY NAME:	
APPROVAL # FREIGABE # DEBLOCAGE # AUTORIZACION # APPROVAL	

THIS DRAWING MAY NOT BE COPIED OR REPRODUCED IN ANY WAY AND MAY NOT BE PASSED ON TO A THIRD PARTY WITHOUT WRITTEN PERMISSION. OWNERSHIP AND COPYRIGHT OF CONEC GmbH	DO NOT ALTER CAD DRAWING BY HAND		
	a	Origin	
	rev.	description	date
	date	name	
	date	name	

tolerance	dim. in mm	scale:	2:1 (5:1)
		material:	SEE NOTES
		title:	D-SUB COMBINATION MALE 13W3P with threaded insert, metal bracket and clip
		dwg no:	Inventor 10
		part no:	13K1A2233
		part no:	3013W3PAT78N40X
		DIN-A3	sh: 1





APPROVAL # FREIGABE # DEBLOCAGE # AUTORIZACION # APPROVAL	
CUSTOMER APPROVAL DATE:	
NAME:	TITLE:
COMPANY NAME:	
APPROVAL # FREIGABE # DEBLOCAGE # AUTORIZACION # APPROVAL	

THIS DRAWING MAY NOT BE COPIED OR REPRODUCED IN ANY WAY, AND MAY NOT BE PASSED ON TO A THIRD PARTY WITHOUT WRITTEN PERMISSION.
OWNERSHIP AND COPYRIGHT OF CONEC GmbH

DO NOT ALTER CAD DRAWING BY HAND

rev.	description	date	name
a	Origin		

tolerance		dim. in mm	
drawn	03.09.2007	name	Sonnenberg
appd.	03.09.2007	name	Mickenbecker
norm			
d-old			



scale:	2:1	
material:	SEE SHEET 1	
title:	P.C.B. HOLE DRILLINGS D-SUB COMBINATION FEMALE 13W3S with threaded insert, metalbracket and clip	
dwg no:	Inventor 10	DIN-A3
	13K1A2233	sh: 2
part no:	SEE SHEET 1	