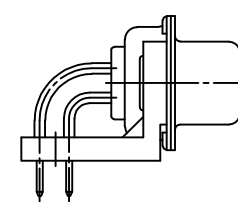
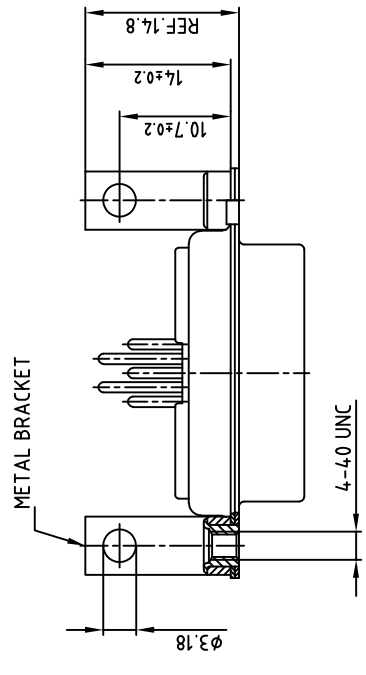
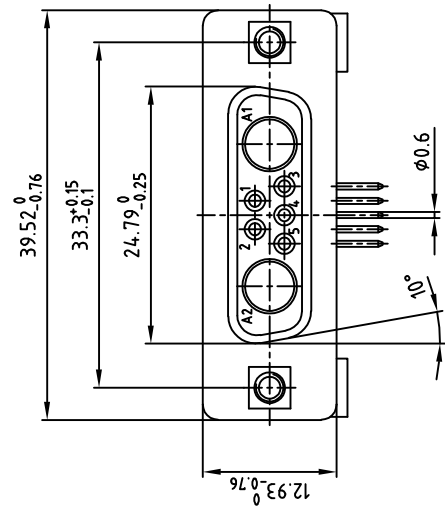
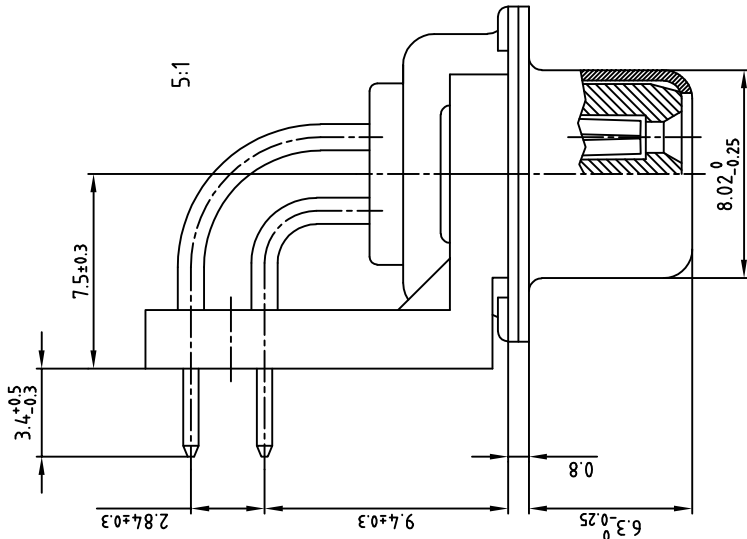


used for: D-SUB COMBINATION



NOTES:

1. METAL SHELLS / -BRACKETS: STEEL; TIN PLATED
2. INSULATORS: PBT GF; UL 94 V-0; GREEN
3. CONTACTS: COPPER ALLOY
4. PLATING: HARD GOLD OVER NICKEL

THIS DRAWING MAY NOT BE COPIED OR REPRODUCED IN ANY WAY, AND MAY NOT BE PASSED ON TO A THIRD PARTY WITHOUT WRITTEN PERMISSION. OWNERSHIP AND COPYRIGHT OF CONEC GMBH DO NOT ALTER CAD DRAWING BY HAND

rev.	description	date	name

1998	date	
drawn	Barcinski	
appd.	Mickenbecker	
norm		
e-old		

tolerance	
scale:	2:1 (5:1)
material:	SEE NOTES
title:	D-SUB COMBINATION FEMALE 90° 7W2S 0.370inch
threaded insert and metal bracket	
dwg no:	13K11J5A
REL:13	DIN-A
sh: 1/1	3
product no:	3007W2SAU99G20X



1 2 3 4 5 6 7 8