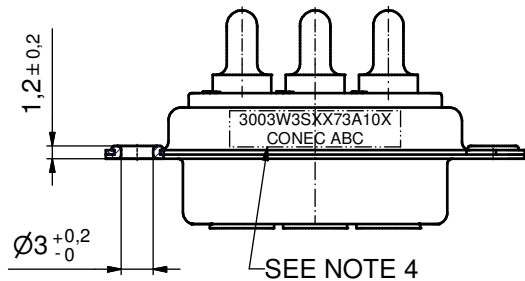
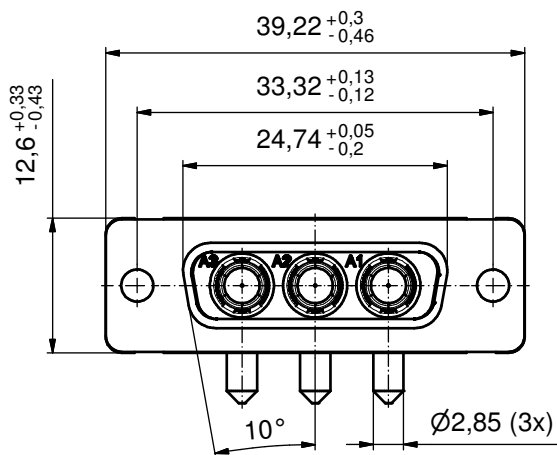
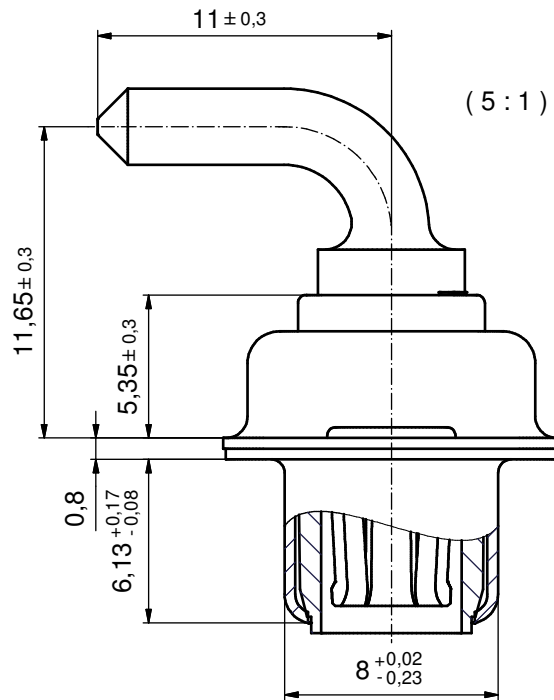
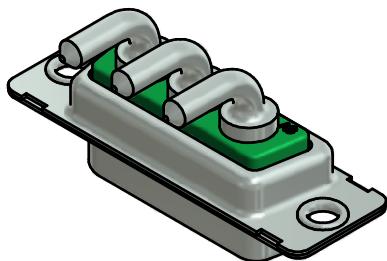
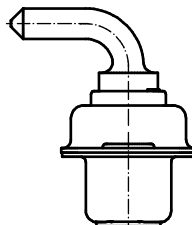


P.C.B. HOLE DRILLINGS
(P.C.B. TOP SIDE)



SEE NOTE 4



NOTES:

- METALHELLS: STEEL; min. 315µm TIN over 40-80µm NICKEL
- INSULATOR: PBT GF UL 94 V-0, GREEN
- HIGH POWER CONTACTS 20A: COPPER ALLOY
PLATING MATING AREA: GOLD FLASH over NICKEL
PLATING TERMINATION SIDE: 160-240µm TIN over 80µm NICKEL
- CONNECTOR IS PART MARKED: 3003W3SXX73A10X CONEC ABC

Directive 2002/95/EC
"RoHS"
Compliant

APPROVAL # FREIGABE # DEBLOCAGE # AUTORIZACION # APPROVAL	
CUSTOMER APPROVAL DATE:	
NAME:	TITLE:
COMPANY NAME:	
APPROVAL # FREIGABE # DEBLOCAGE # AUTORIZACION # APPROVAL	

THIS DRAWING MAY NOT BE COPIED OR REPRODUCED IN ANY WAY, AND MAY NOT BE PASSED ON TO A THIRD PARTY WITHOUT WRITTEN PERMISSION. OWNERSHIP AND COPYRIGHT OF CONEC GmbH

DO NOT ALTER CAD DRAWING BY HAND

rev.	description	date	name
a	Origin		

tolerance		dim. in mm
date	name	
drawn 15.10.10	Henneboel	
appd. 15.10.10	Koch	
norm		
d-old		

CONEC®

scale:	2:1 (5:1)	
material:	SEE NOTES	
title:	D-SUB COMBINATION FEMALE 3W3S	
dwg no:	Inventor	DIN-A3
	13K1A3456	sh: 1
part no:	3003W3SXX73A10X	