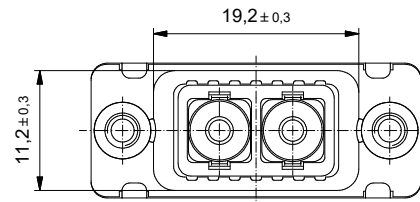
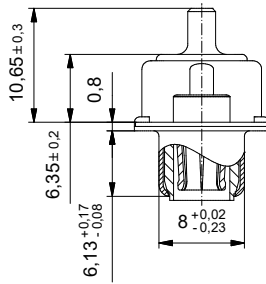
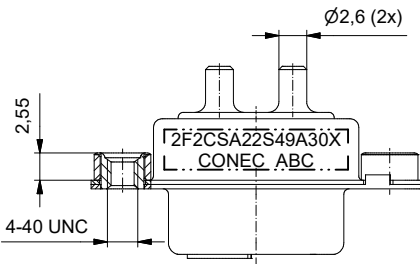
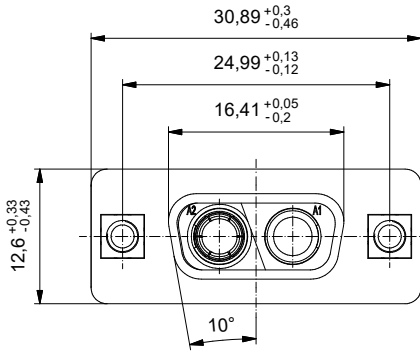
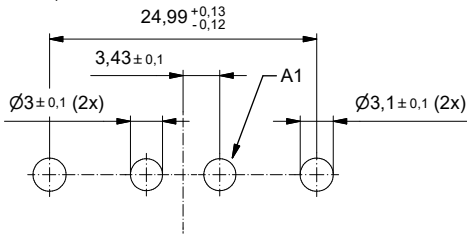


PCB hole drillings
(PCB top side)
Leiterplattenbohrbild
(Leiterplatten Oberseite)



Technical specification:

Technische Daten:

Working voltage/ Betriebsspannung:	100 VDC
Current rating/ Strombelastbarkeit:	20 A high power contact/ Hochstromkontakt
Insulation resistance/ Isolationswiderstand:	≥ 1 GΩ
Dielectric withstanding voltage/ Spannungsfestigkeit (DWV):	707 VDC
Temperature working range/ Umgebungstemperatur:	- 55 °C ... + 125 °C
Mating cycles/ Steckzyklen:	Quality class 3 = 50 Gütestufe 3
Capacitance value/ Kapazitätswert:	47 nF ± 20 %

Materials/

Werkstoffe:

Contact/ Kontakt:	Cu alloy, mating area/ Au over Ni termination side/ Sn over Ni
Insulator/ Isolierkörper:	PBT UL 94 V-0, black/schwarz
Shell/ Gehäuse:	Steel, Sn over Ni
Threaded insert/ Gewindeinsatz:	Cu alloy, Sn over Ni
Collar/ Scheibe:	Cu alloy, Sn over Ni

Installation specification/

Montagedaten:

Solder parameter for wavesoldering/ Lötparameter im Wellenlötverfahren:	
Solder preheat temperature/ Vorheiztemperatur:	120 °C for 120 sec. 120 °C für 120 sek.
Solder bath temperature/ Lötbadtemperatur:	260 °C for 5 sec. 260 °C für 5 sek.
Recommended torque value for thread/ empfohlenes Drehmoment für Gewinde:	max. 6 in.LB/max. 67 Ncm
Contact assignment/ Kontakt Bestückung:	Male contact on Pos. A1/ Stiftkontakt an Pos. A1 Female contact on Pos. A2/ Buchsenkontakt an Pos. A2

Part no. / Part marked Art.-Nr. / Bedruckung:	2F2CSA22S49A30X	Contact plating/ Kontakt Veredelung:	High power contact 20 A/ Hochstromkontakt 20 A:	plating, mating area: Veredelung, Steckbereich:	gold flash over nickel Gold über Nickel
				plating, termination side: Veredelung, Anschluss Seite:	tin over nickel Zinn über Nickel
Index: a Original		Scale/ Maßstab:	2:1		
Status: Freigegeben					
RoHS compliant/konform		dim. in mm			
		drawn/ gez.	Date/Datum	Name	D-SUB Filter Combination Female 2F2CS with threaded insert D-SUB Filter Combination Buchsenleiste 2F2CS mit Gewindeinsatz
		appd./ gepr.	12.03.18	Lehmenkühler	
			13.03.18	Schmidt	
		dwg no / Z.-nr.:			24K1A1809
		DIN-			A3
					1 / 1

This reproduction, distribution and utilization of this document as well as the communication of its contents to others without express authorization is prohibited. Offenders will be held liable for the payment of damages. For further information on our legal notices please refer to our Terms of Use (https://www.conec.com/terms-and-conditions). For further information on our legal notices please refer to our Terms of Use (https://www.conec.com/terms-and-conditions).