

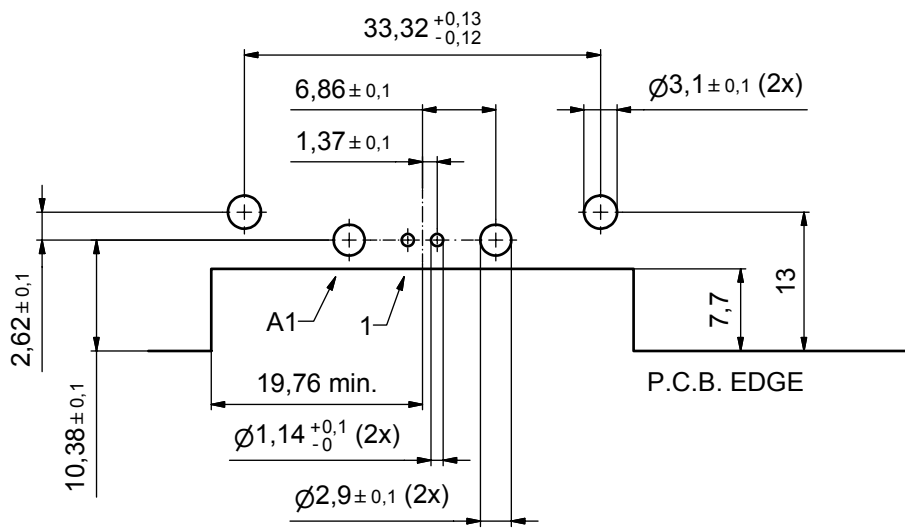
NOTES:

- METALSHELLS: STEEL; min. 315µin TIN over 40-80µin NICKEL
- INSULATORS: HIGH TEMPERATURE PLASTIC UL 94 V-0, BLACK
- HIGH POWER CONTACTS: COPPER ALLOY; min. 24A/pin @30°C TEMPERATURE RISE
PLATING MATING AREA: 30µin HARD GOLD over min. 50µin NICKEL
PLATING TERMINATION SIDE: 160-240µin TIN over 80µin NICKEL
MALE CONTACT ON POS. A1 and A2
- SIGNAL CONTACTS: COPPER ALLOY; 7,5A nominal
PLATING MATING AREA: 30µin HARD GOLD over min. 50µin NICKEL
MALE CONTACTS ON POS. 1 and 2, NO CONTACTS ON POS. 3, 4, 5
- METAL BRACKET: ZINC DIE CAST; 300µin COPPER/40-120µin NICKEL/120-200µin TIN
- THREADED INSERT: COPPER ALLOY; min. 200µin TIN over 80µin NICKEL
- HEX BOLT: STEEL; NICKEL PLATED
- WASHER: STEEL; NICKEL PLATED
- PCB-SNAP: COPPER ALLOY; min. 200µin TIN over 80µin NICKEL
PCB-HOLE: $\varnothing 3,1 \pm 0,1$ mm; PCB-THICKNESS: 1,6mm
- P.C.B. HOLE DRILLINGS ON SHEET 2
- CAPACITANCE:
HIGH POWER CONTACTS ARE FILTERED WITH 10nF $\pm 20\%$
SIGNAL CONTACTS NOT FILTERED
- DIELECTRIC WITHSTANDING VOLTAGE: 1000 VDC
- MAXIMUM TORQUE VALUE FOR THREAD: 6" LBS
- CONNECTOR IS PART MARKED: 24-000081 CONEC ABC

Directive 2002/95/EC
„RoHS“
Compliant

APPROVAL # FREIGABE # DEBLOCAGE # AUTORIZACION # APPROVAL	
CUSTOMER APPROVAL DATE:	
NAME:	TITLE:
COMPANY NAME:	
APPROVAL # FREIGABE # DEBLOCAGE # AUTORIZACION # APPROVAL	

finish: see notes				tolerance		dim. in mm		scale: 2:1	
THIS DRAWING MAY NOT BE COPIED OR REPRODUCED IN ANY WAY, AND MAY NOT BE PASSED ON TO A THIRD PARTY WITHOUT WRITTEN PERMISSION. OWNERSHIP AND COPYRIGHT OF CONEC GmbH DO NOT ALTER CAD DRAWING BY HAND				date		name		material: see notes	
				drawn 03.07.07		Lehmenkühler			
				appd. 03.07.07		Fischer			
				norm		d-old			
a Origin		CONEC®		title: MicroTCA Single Port 90° 48V/60V Power Module Input Connector Filter Male with threaded insert, metal bracket, snap, hex bolt		dwg no: Inventor 10		DIN-A3 sh: 1	
rev. description date name									
				part no: 24-000081					



APPROVAL # FREIGABE # DEBLOCAGE # AUTORIZACION # APPROVAL	
CUSTOMER APPROVAL DATE:	
NAME:	TITLE:
COMPANY NAME:	
APPROVAL # FREIGABE # DEBLOCAGE # AUTORIZACION # APPROVAL	

THIS DRAWING MAY NOT BE COPIED OR REPRODUCED IN ANY WAY, AND MAY NOT BE PASSED ON TO A THIRD PARTY WITHOUT WRITTEN PERMISSION. OWNERSHIP AND COPYRIGHT OF CONEC GmbH

DO NOT ALTER CAD DRAWING BY HAND

rev.	description	date	name
a	Origin		

finish:	see sheet 1	tolerance	
drawn	03.07.07	name	Lehmenkühler
appd.	03.07.07	name	Fischer
norm		d-old	

CONEC[®]

scale:	2:1	
material:	see sheet 1	
title:	P.C.B. HOLE DRILLINGS MicroTCA Male Single Port 90° 48V / 60V Power Module Input Connector Filter	
dwg no:	Inventor 10	DIN-A3
	24K1A1022	sh: 2
part no:	see sheet 1	