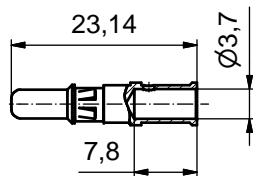


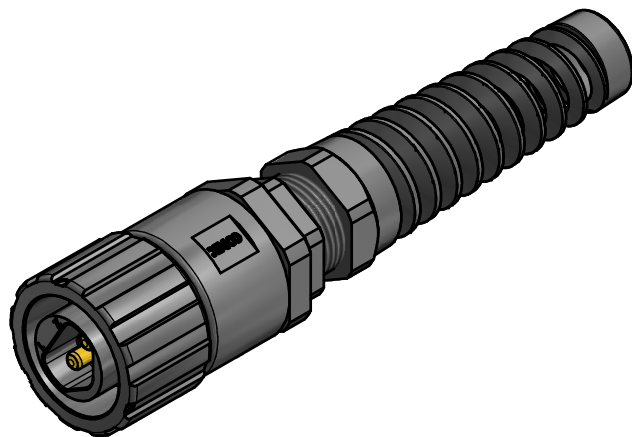
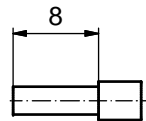
**NOTES:**



1. CONNECTOR KIT IS RECCOMENDED FOR USE WITH FOLLOWING CABLE TYPE:  
2 CONDUCTOR AWG 12, TYPE SJOOW
2. MATERIAL AND FINISH:
  - COUPLER RING: PA GF (BLACK); UL94 V-0; UL (f1) RATED
  - PLUG HOUSING: PA GF (BLACK); UL94 V-0; UL (f1) RATED
  - CABLE GLAND: PA (BLACK), UL94 V-0; UL (f1) RATED
  - CABLE GLAND RUBBER RING: NBR; COLOR: BLACK
  - CABLE FITTING: PA (BLACK); UL94 V-0; UL (f1) RATED
  - INTERFACIAL SEAL: SILICONE; COLOR: WHITE
  - RETAINING RING: STAINLESS STEEL
3. HIGH POWER CONTACTS; CRIMP; 30A
  - CAN BE CRIMPED WITH STRANDED COPPER WIRES: AWG 10 - 12
  - MATERIAL: COPPER ALLOY
  - PLATING, MATING AREA: GOLD FLASH over NICKEL
  - PLATING, TERMINATION SIDE: 160-240µin TIN over 80µin NICKEL
  - CONTACTS WILL BE SUPPLIED LOOSE
  - CRIMPING: USE CRIMP TOOL 360X10409X WITH TOOL INSERT 360X20029X
  - SELECTOR SETTINGS: 7 FOR AWG 10; 6 FOR AWG 12
4. OPERATING TEMPERATURE: -40°C to +100°C
5. WORKING VOLTAGE: 48V AC/DC
6. IP67 RATED WHEN COVERED OR FULLY MATED WITH THE APPROPRIATE MATING CONNECTOR
7. ASSEMBLY INSTRUCTION: AI-5040-POWER

2 CONTACTS WILL BE SUPPLIED LOOSE



STRIPPING DIMENSIONS



THIS DRAWING MAY NOT BE COPIED OR REPRODUCED IN ANY WAY, AND MAY NOT BE PASSED ON TO A THIRD PARTY WITHOUT WRITTEN PERMISSION. OWNERSHIP AND COPYRIGHT OF CONEC GmbH  DO NOT ALTER CAD DRAWING BY HAND	date		name		 scale: 1,5:1 material: see notes
	drawn	01.10.2014	Strakerjahn		
	appd.	02.10.2014	Koch		dwg no: 17K1A447_suggestion
	norm				
	d-old				DIN-A3 sh: 1
a Original rev. description date name					

RoHS compliant