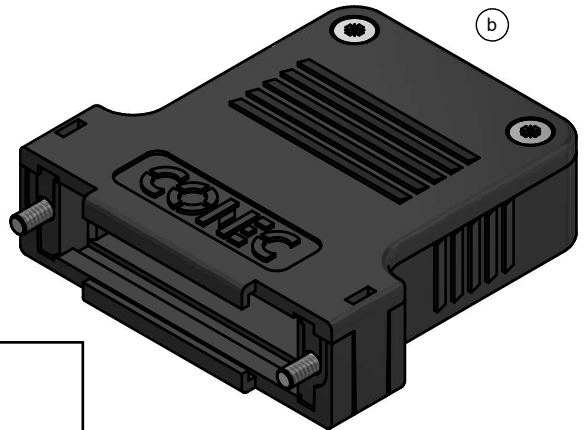


NOTES: (b)

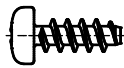
1. HOOD + COVER: PBT UL 94 V-0; BLACK
2. CABLE STRAIN RELIEF: STEEL; NICKEL PLATED
3. PRESS INSERT: ABS UL 94 V-0; BLACK
4. SHORT SCREWS: BRASS; NICKEL PLATED (c)
5. COVER SCREWS: STEEL; NICKEL PLATED
6. LENS HEAD SCREWS: STEEL; NICKEL PLATED

TECHNICAL DATA:

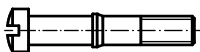
- TEMPERATURE RANGE: - 40°C to + 125°C



CABLE STRAIN RELIEF (1x)



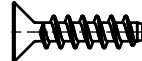
LENS HEAD SCREW (2x)



SHORT SCREW (2x)



PRESS INSERT (1x)



COVER SCREW (2x)

ROHS compliant, exemption 6c/
ROHS konform, Ausnahme 6c

THIS DRAWING MAY NOT BE COPIED OR REPRODUCED IN ANY WAY, AND MAY NOT BE PASSED ON TO A THIRD PARTY WITHOUT WRITTEN PERMISSION. OWNERSHIP AND COPYRIGHT OF CONEC GmbH

DO NOT ALTER CAD DRAWING BY HAND

| | | tolerance | | dim. in mm | |
|-------|-------------|--------------|------|------------|----------|
| date | name | date | name | date | name |
| drawn | 14.04.2015 | Heinrich | | | |
| appd. | 14.04.2015 | Lehmenkühler | | | |
| norm | | | | | |
| 1 x c | Ä21-0233 | 07.06.2024 | JLE | d-old | 16K1A707 |
| 5 x b | A5607 | 14.04.15 | M.H. | | |
| a | Original | | | | |
| rev. | description | date | name | | |
| | | | | | |

| | | |
|-----------|---|--------|
| scale: | 2:1 | |
| material: | SEE NOTES | |
| title: | PLASTIC HOOD 25pos. with straight cable exit | |
| dwg no: | (b) 16K1A3620 | DIN-A3 |
| part no: | 165X13389X / 600X10025XS (b) | |

sh: 1