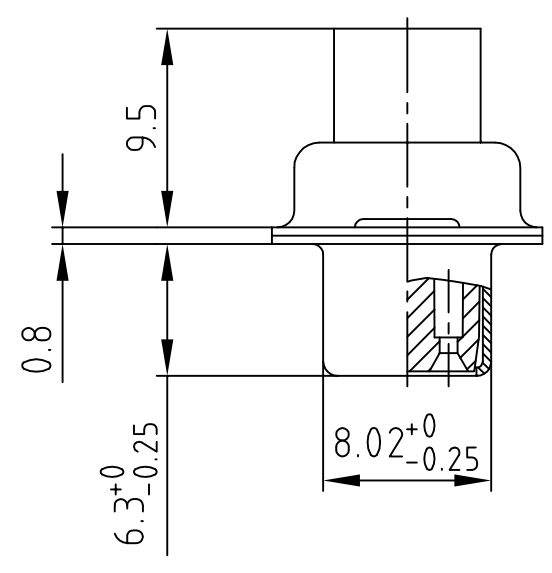
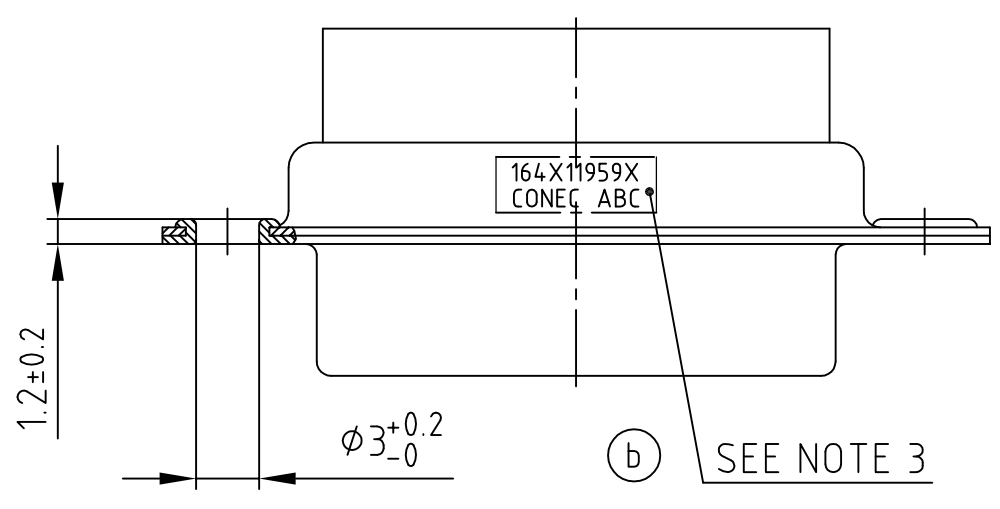
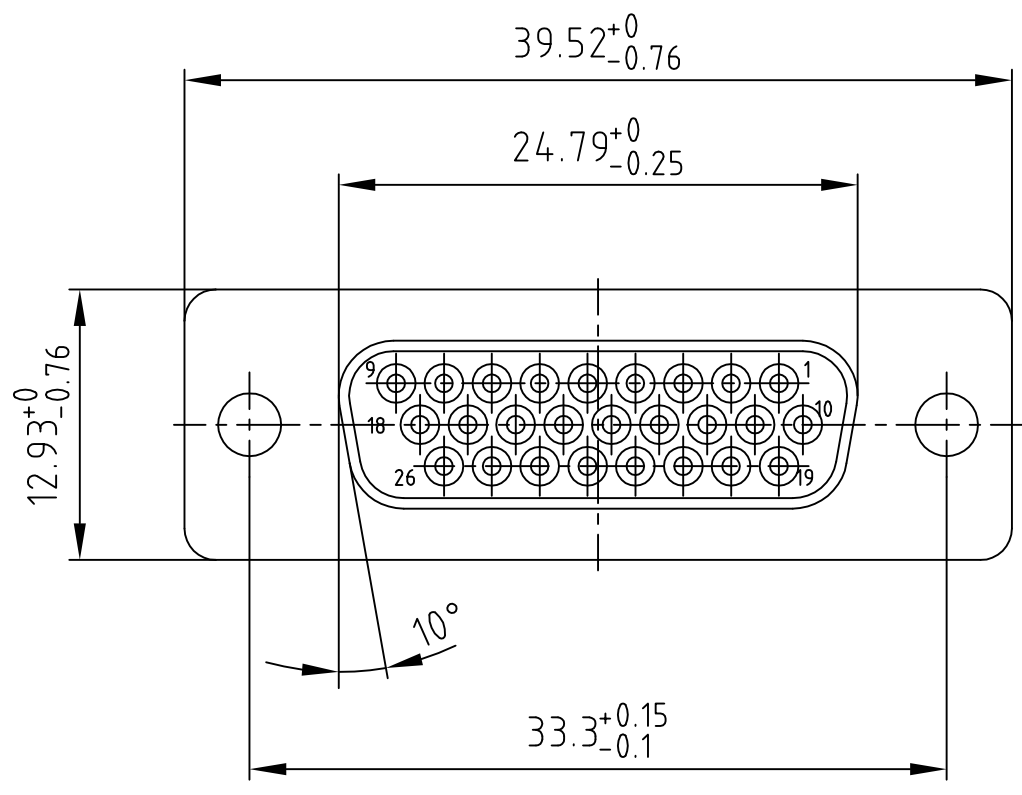


used for: D-SUB HD



(b) NOTES:

1. METALSHELLS: STEEL; min. 315µin TIN over 40-80µin Nickel
2. INSULATORS: PA 6.6 UL 94 V-0, BLACK
3. CONNECTOR IS PART MARKED: 164X11959X CONEC ABC

Directive 2002/95/EC RoHS compliant

THIS DRAWING MAY NOT BE COPIED OR REPRODUCED IN ANY WAY, AND MAY NOT BE PASSED ON TO A THIRD PARTY WITHOUT WRITTEN PERMISSION. OWNERSHIP AND COPYRIGHT OF CONEC GmbH DO NOT ALTER CAD DRAWING BY HAND

				tolerance				scale: 2:1	
				material: SEE NOTES					
				title: D-SUB HD Female Crimp-Version 26pos.					
				dwg no: CAD/ REL.14		DIN-A 4			
				sh: 1/1					
				product no: 164X11959X (A0353139/A0642990)					
2 x b		Ä3918	23.03.2011	Gitinow					
a		Origin							
rev.	description	date	name						

A

A

4

3

2

1

F

F

E

E

D

D

C

C

B

B