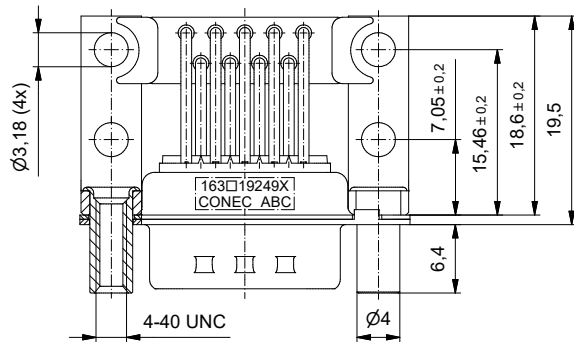
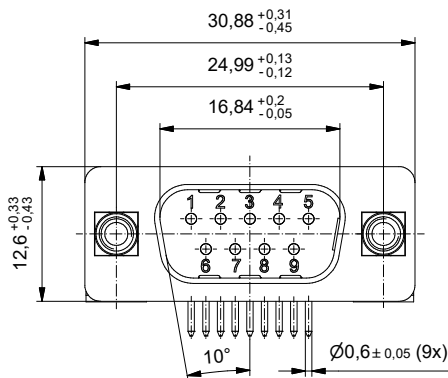
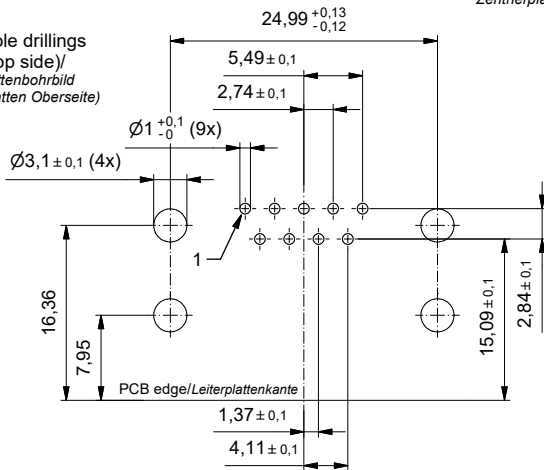


**Technical specification/
Technische Daten:**

Working voltage/ Betriebsspannung:	125 V AC
Insulation resistance/ Isolationswiderstand:	≥ 5 GΩ
Dielectric withstanding voltage/ Spannungsfestigkeit:	1000 V, 50 Hz, 1 min.
Temperature range/ Temperaturbereich:	- 55 °C ... + 125 °C
Current rating/ Strombelastbarkeit:	7,5 A (UL) / 5 A (CSA, VDE)
Mating cycles/ Steckzyklen:	Quality class 1 = 500 Gütestufe 1 Quality class 2 = 200 Gütestufe 2 Quality class 3 = 50 Gütestufe 3

PCB hole drillings
(PCB top side)
Leiterplattenbohrbild
(Leiterplatten Oberseite)

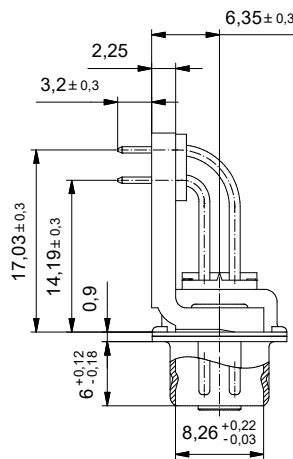


**Materials/
Werkstoffe:**

Contact/ Kontakt:	Cu alloy, Au over Ni
Insulator/ Isolierkörper:	PBT GF UL 94 V-0
Shell/ Gehäuse:	Steel, Sn over Ni
Metal bracket/ Metallwinkel:	Steel, Sn
Threaded lock/ Gewindebolzen:	Cu alloy, Sn over Ni
Fixing plate/ Zentrierplatte:	PBT GF UL 94 V-0

**Installation specification/
Montagedaten:**

Recommended torque value for thread/ Empfohlenes Drehmoment für Gewinde:	max. 6 in.LB/ max. 67 Ncm
---	------------------------------



Part no. / Part marked/ Art.-Nr. / Bedruckung:	Quality class/ Gütestufe:	Contact plating/ Kontakt Veredelung:
163A19249X	3	Gold flash over nickel Gold über Nickel
163B19249X	2	20 µin hard gold over min. 50 µin nickel 20 µin Gold über min. 50 µin Nickel
163C19249X	1	30 µin hard gold over min. 50 µin nickel 30 µin Gold über min. 50 µin Nickel

Index: a Original	Scale/ Maßstab: 2:1		D-SUB Male 90° 9pos. 0.590 inch angled with threaded lock, metal bracket and fixing plate D-SUB Stift 90° 9pol. 14,19 mm abgewinkelt mit Gewindebolzen, Metallwinkel und Zentrierplatte	dwg no / Z.-nr.: 16K1A4237	DIN- A3

This reproduction, distribution and utilization of this document as well as the communication of its contents to others without express authorization is prohibited. Offenders will be held liable for the payment of damages. For further information on our products and services, please contact our technical support department.