

**Technical specification/  
Technische Daten:**

Working voltage/ Betriebsspannung:	125 V AC
Insulation resistance/ Isolationswiderstand:	≥ 5 GΩ
Dielectric withstanding voltage/ Spannungsfestigkeit:	1000 V, 50 Hz, 1 min.
Temperature range/ Temperaturbereich:	- 55 °C ... + 125 °C
Current rating/ Strombelastbarkeit:	7,5 A (UL) / 5 A (CSA, VDE)
Mating cycles/ Steckzyklen:	Quality class 1 = 500 Gütestufe 1 Quality class 2 = 200 Gütestufe 2 Quality class 3 = 50 Gütestufe 3

**Materials/  
Werkstoffe:**

Contact/ Kontakt:	Cu alloy, Au over Ni
Insulator/ Isolierkörper:	PBT GF UL 94 V-0
Fixing-Plate/ Zentrierplatte:	PBT GF UL 94 V-0
Shell/ Gehäuse:	Steel, Sn over Ni
Metal bracket/ Metallwinkel:	GD-Zn, Sn over Ni
Threaded insert/ Gewindeinsatz:	Cu alloy, Sn over Ni

**Installation specification/  
Montagedaten:**

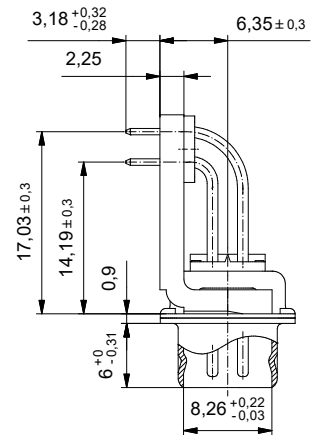
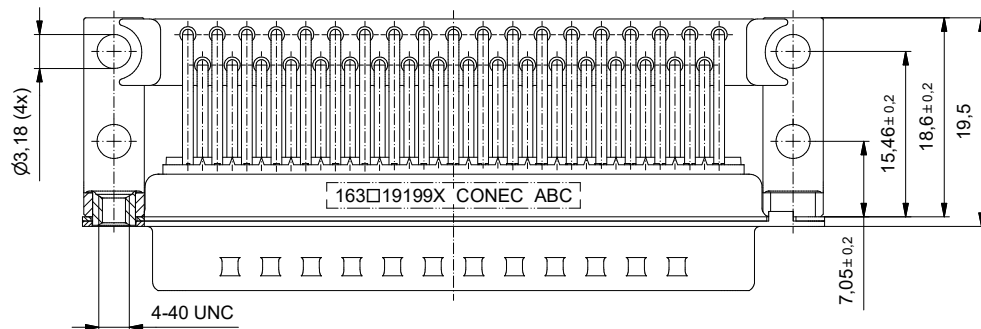
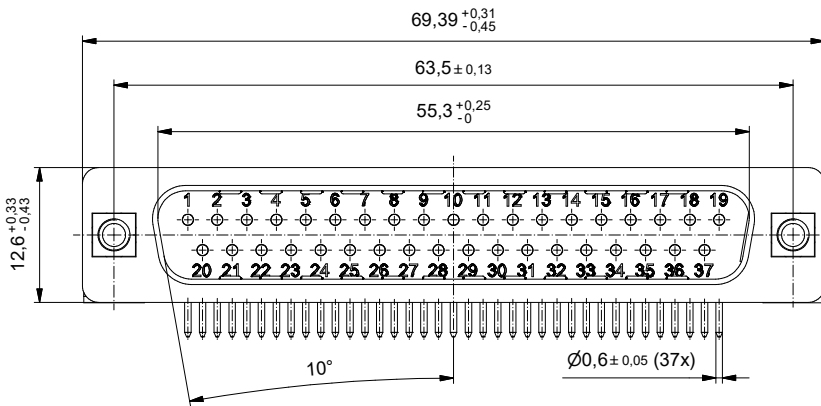
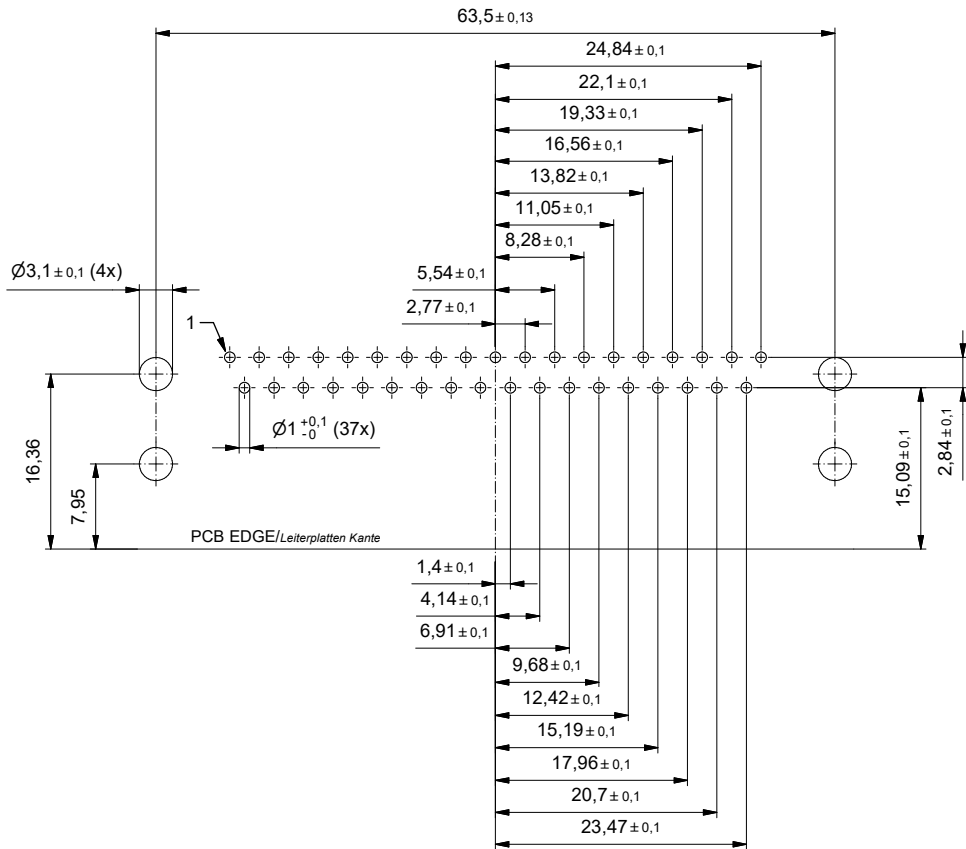
Recommended torque value for thread/ Empfohlenes Drehmoment für Gewinde:	max. 6 in.LB/ max. 67 Ncm
PCB-hole drillings/ Leiterplattenbohrbild:	see sheet 2/ siehe Seite 2

Part no. / part marked/ Art.-Nr. / Bedruckung:	Quality class/ Gütestufe:	Contact plating/ Kontakt Veredelung:
163A19199X	3	Gold flash over nickel Gold über Nickel
163B19199X	2	20 µm hard gold over min. 50 µm nickel 20 µm Gold über min. 50 µm Nickel
163C19199X	1	30 µm hard gold over min. 50 µm nickel 30 µm Gold über min. 50 µm Nickel

		D-SUB Male 90° 37pos. Solder pin angled 0.590 inch threaded insert, metal bracket, fixing plate D-SUB Stift 90° 37pos. Lötstift abgewinkelt 14,19 mm Gewindeinsatz, Metallwinkel, Zentrierplatte													
<table border="1"> <tr> <td>Date/Datum</td> <td>Name</td> </tr> <tr> <td>18.10.2018</td> <td>Lehmenkühler</td> </tr> <tr> <td>19.10.2018</td> <td>Schmidt</td> </tr> </table>		Date/Datum	Name	18.10.2018	Lehmenkühler	19.10.2018	Schmidt	<table border="1"> <tr> <td>dwg no / Z.-nr.:</td> <td>16K1A4098</td> <td>DIN- A3</td> </tr> <tr> <td colspan="2"></td> <td>1 / 2</td> </tr> </table>		dwg no / Z.-nr.:	16K1A4098	DIN- A3			1 / 2
Date/Datum	Name														
18.10.2018	Lehmenkühler														
19.10.2018	Schmidt														
dwg no / Z.-nr.:	16K1A4098	DIN- A3													
		1 / 2													
Index: a Original	Scale/Maßstab: 2:1														
Status: InBearbeitung															
RoHS compliant/konform															

The reproduction, distribution and sale of this document as well as the communication of its contents to others without express authorization is prohibited. Offenders will be held liable for the payment of damages. We reserve the right to withdraw from circulation and/or to destroy documents reported as damaged.

PCB hole drillings  
(PCB top side)  
Leiterplattenbohrbild  
(Leiterplatten Oberseite):



Index: a Original	Scale/Maßstab: 2:1		dim. in mm	D-SUB Male 90° 37pos. Solder pin angled 0.590 inch threaded insert, metal bracket, fixing plate D-SUB Stift 90° 37pos. Lötstift abgewinkelt 14,19 mm Gewindeinsatz, Metallwinkel, Zentrierplatte	dwg no / Z.-nr.: 16K1A4098	DIN- A3
			Date/Datum			
Status: InBearbeitung			drawn/ges. 18.10.2018	Lehmenkühler		
RoHS compliant/konform			appd./gepr. 19.10.2018	Schmidt		

The reproduction, distribution and sale of this document as well as the communication of its contents to others without express authorization is prohibited. Offenders will be held liable for the payment of damages. We reserve the right to withdraw advertising and/or to publish the name of the offender.