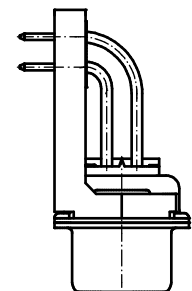
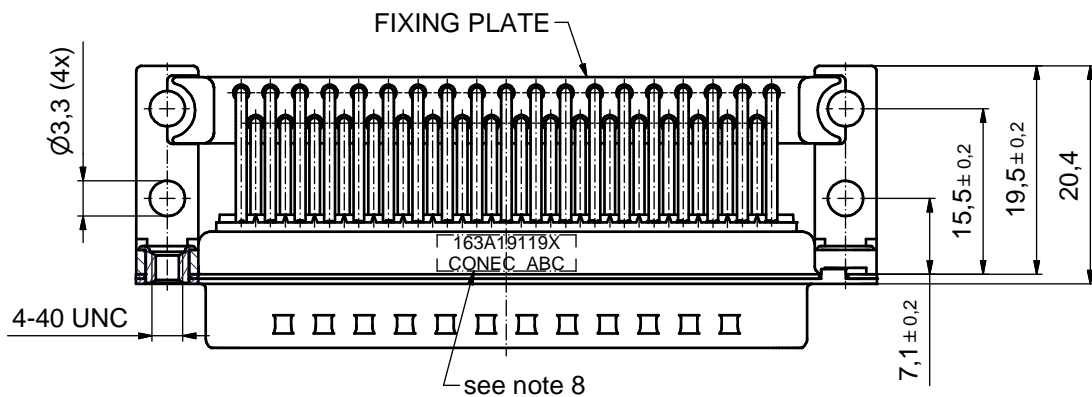
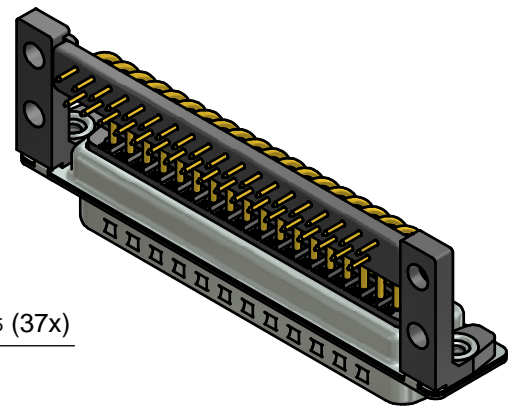
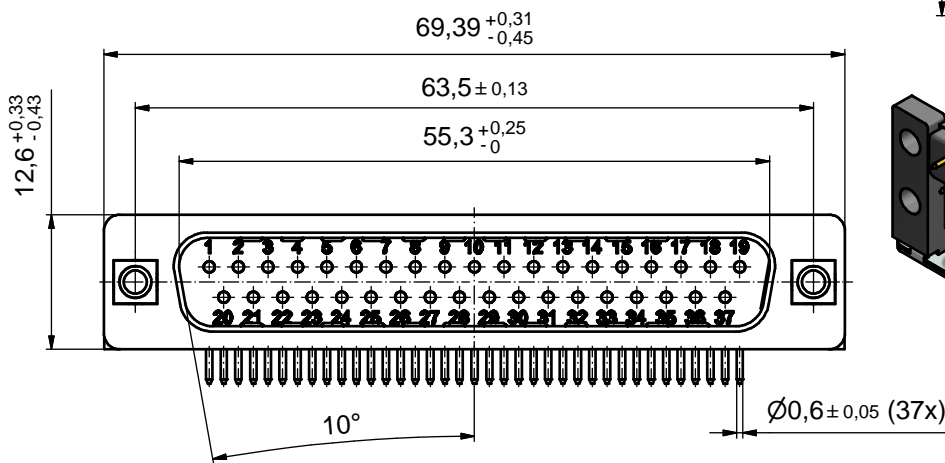
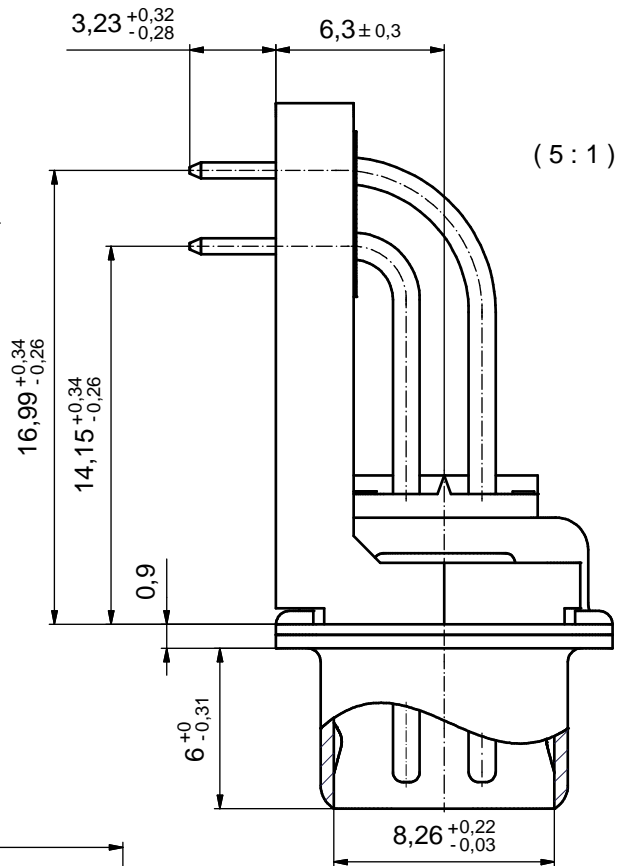


NOTES:

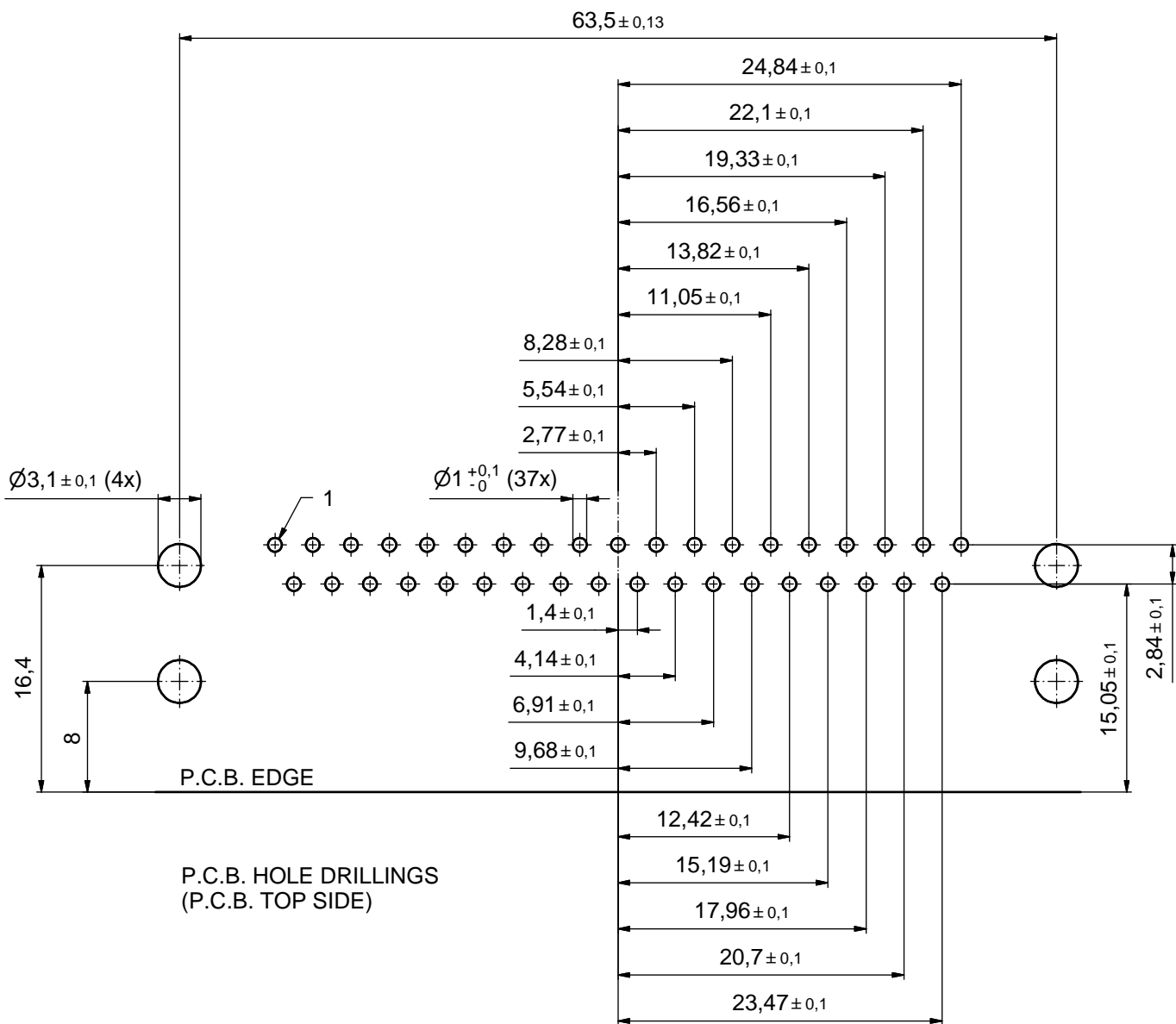
1. METALSHELLS: STEEL; min. 315µin TIN over 40-80µin NICKEL
2. INSULATORS: PBT GF UL 94 V-0; BLACK
3. CONTACTS: COPPER ALLOY
PLATING: GOLD FLASH over NICKEL
4. PLASTIC BRACKETS: PBT GF UL 94 V-0; BLACK
5. THREADED INSERTS: COPPER ALLOY; min. 200µin TIN over 80µin NICKEL
6. FIXING-PLATE: PBT GF UL 94 V-0; BLACK
7. MAXIMUM TORQUE VALUE FOR THREAD: 6 in.LB
8. CONNECTOR IS PART MARKED: 163A19119X CONEC ABC



Directive 2002/95/EC RoHS compliant

THIS DRAWING MAY NOT BE COPIED OR REPRODUCED IN ANY WAY, AND MAY NOT BE PASSED ON TO A THIRD PARTY WITHOUT WRITTEN PERMISSION. OWNERSHIP AND COPYRIGHT OF CONEC GmbH DO NOT ALTER CAD DRAWING BY HAND	tolerance		dim. in mm	scale:	2:1 (5:1)
				material:	see notes
	drawn	29.11.10	Schmidt	title: D-SUB MALE 90° 37pos. SOLDER PIN ANGLED 0.590inch threaded insert, plastic bracket, fixing plate	
	appd.	29.11.10	Fischer		
	norm				
d-old			dwg no:		DIN-A3
a	Origin		16K1A2735		sh: 1
rev.	description	date	name	part no: 163A19119X	





THIS DRAWING MAY NOT BE COPIED OR REPRODUCED IN ANY WAY, AND MAY NOT BE PASSED ON TO A THIRD PARTY WITHOUT WRITTEN PERMISSION. OWNERSHIP AND COPYRIGHT OF CONEC GmbH DO NOT ALTER CAD DRAWING BY HAND					tolerance	 dim. in mm	scale: 3:1		
					date		name	material: see sheet 1	
					drawn	29.11.10	Schmidt	title: P.C.B. HOLE DRILLINGS 37pos. SOLDER PIN ANGLED 0.590inch threaded insert, plastic bracket, fixing plate	
					appd.	29.11.10	Fischer		
					norm				
					d-old				
	a	Origin						dwg no: 16K1A2735	DIN-A3
	rev.	description	date	name				part no: see sheet 1	sh: 2