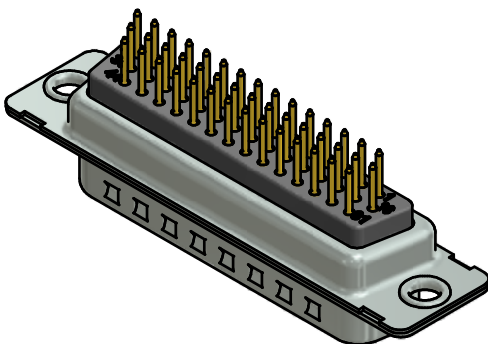
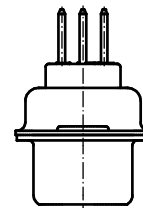
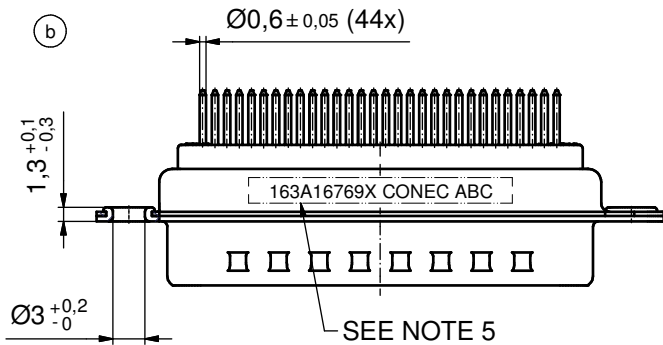
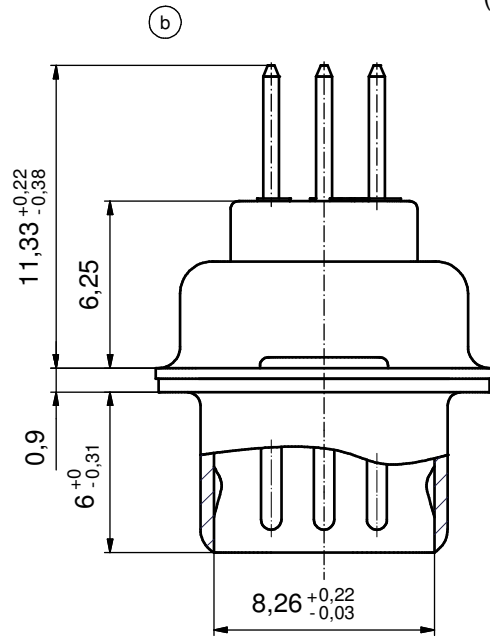
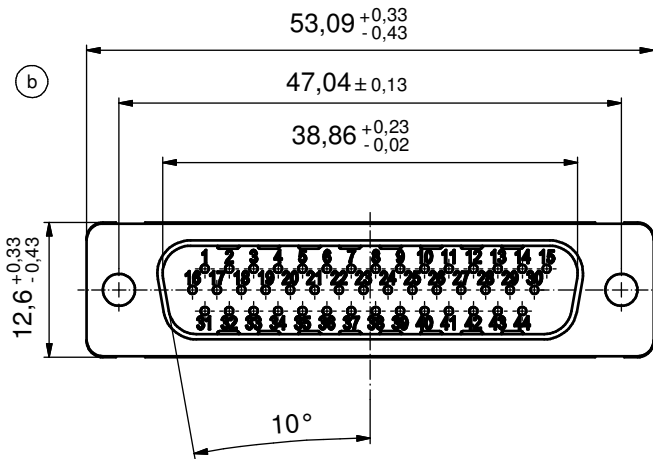


(5:1)



NOTES:

1. METALSHELLS: STEEL; min. 315µm TIN over 40-80µm NICKEL
2. INSULATORS: PBT GF UL 94 V-0; BLACK
3. CONTACTS: COPPER ALLOY
PLATING: GOLD FLASH over NICKEL
4. P.C.B. HOLE DRILLINGS ON SHEET 4
5. CONNECTOR IS PART MARKED: **163A16769X CONEC**

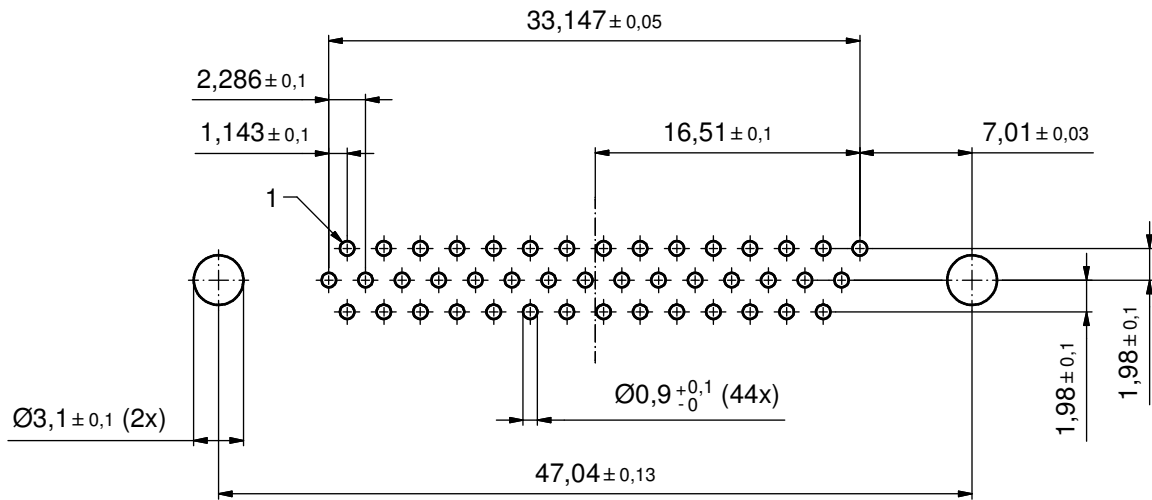
Directive 2002/95/EC RoHS compliant

THIS DRAWING MAY NOT BE COPIED OR REPRODUCED IN ANY WAY, AND MAY NOT BE PASSED ON TO A THIRD PARTY WITHOUT WRITTEN PERMISSION. OWNERSHIP AND COPYRIGHT OF CONEC GmbH
 DO NOT ALTER CAD DRAWING BY HAND

				tolerance		scale: 2:1 (5:1)		
				date	name	material: SEE NOTES		
				drawn	10.04.2002	Perei		
				appd.	10.04.2002	Mickenbecker		
				norm				
				d-old				
4 x b	A4102	14.09.2011	K.H.					title: D-SUB HD MALE 44pos. SOLDER PIN STRAIGHT
a	Original							dwg no: 16K1A542
rev.	description	date	name	part no: 163A16769X				

P.C.B. HOLE DRILLINGS

(P.C.B. TOP SIDE)



Directive 2002/95/EC RoHS compliant

THIS DRAWING MAY NOT BE COPIED OR REPRODUCED IN ANY WAY, AND MAY NOT BE PASSED ON TO A THIRD PARTY WITHOUT WRITTEN PERMISSION. OWNERSHIP AND COPYRIGHT OF CONEC GmbH DO NOT ALTER CAD DRAWING BY HAND					tolerance	dim. in mm	scale: 2:1	
					date		name	material: SEE SHEET3
					drawn	10.04.2002	Perei	title: P.C.B. HOLE DRILLINGS D-SUB HD MALE 44pos.
					appd.	10.04.2002	Mickenbecker	
					norm			
					d-old			dwg no:
a	Original						16K1A542	DIN-A3
rev.	description	date	name				part no:	SEE SHEET3