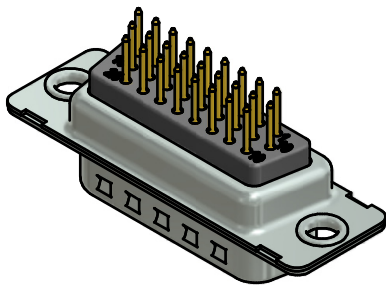
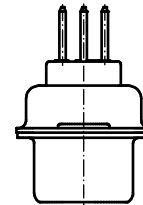
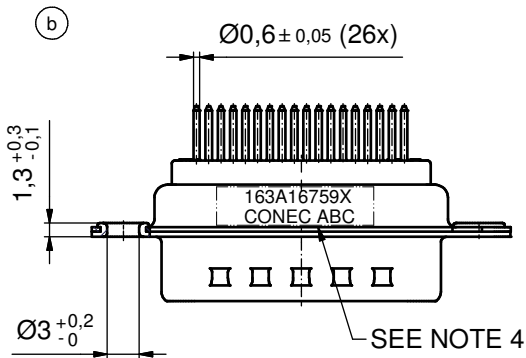
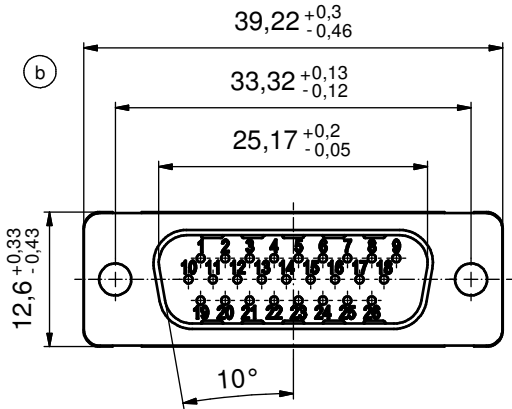
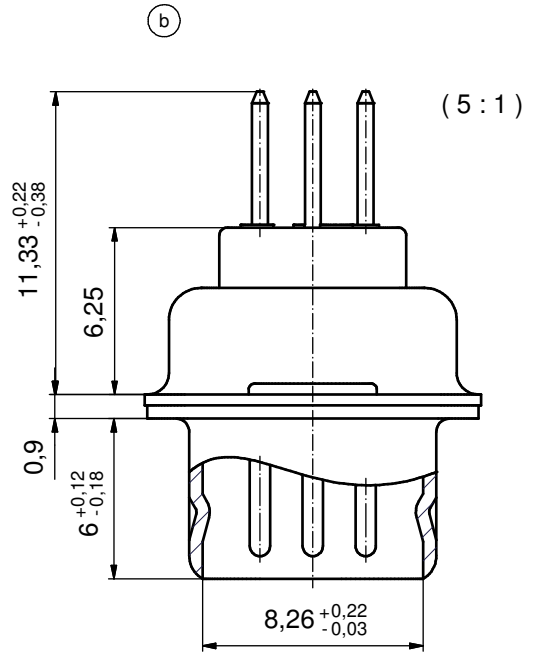


P.C.B. HOLE DRILLINGS  
(P.C.B. TOP SIDE)



(b) NOTES:

- METALSHELLS: STEEL; min. 315µin TIN over 40-80µin NICKEL
- INSULATORS: PBT GF UL 94 V-0; BLACK
- CONTACTS: COPPER ALLOY  
PLATING: GOLD FLASH over NICKEL
- CONNECTOR IS PART MARKED: 163A16759X CONEC ABC

Directive 2002/95/EC RoHS compliant

THIS DRAWING MAY NOT BE COPIED OR REPRODUCED IN ANY WAY, AND MAY NOT BE PASSED ON TO A THIRD PARTY WITHOUT WRITTEN PERMISSION. OWNERSHIP AND COPYRIGHT OF CONEC GmbH DO NOT ALTER CAD DRAWING BY HAND				tolerance		dim. in mm	scale: 2:1 (5:1)	
				date			material: SEE NOTES	
				name		title:		
				drawn 10.04.2002 Parei		<b>D-SUB HD MALE</b> 26pos. SOLDER PIN STRAIGHT		
appd. 10.04.2002 Mickenbecker								
norm		dwg no:						
d-old		16K1A542		DIN-A3				
4 x b	A4102	14.09.2011	K.H.	sh: 2/6				
a	Original			part no: 163A16759X				
rev.	description	date	name					