

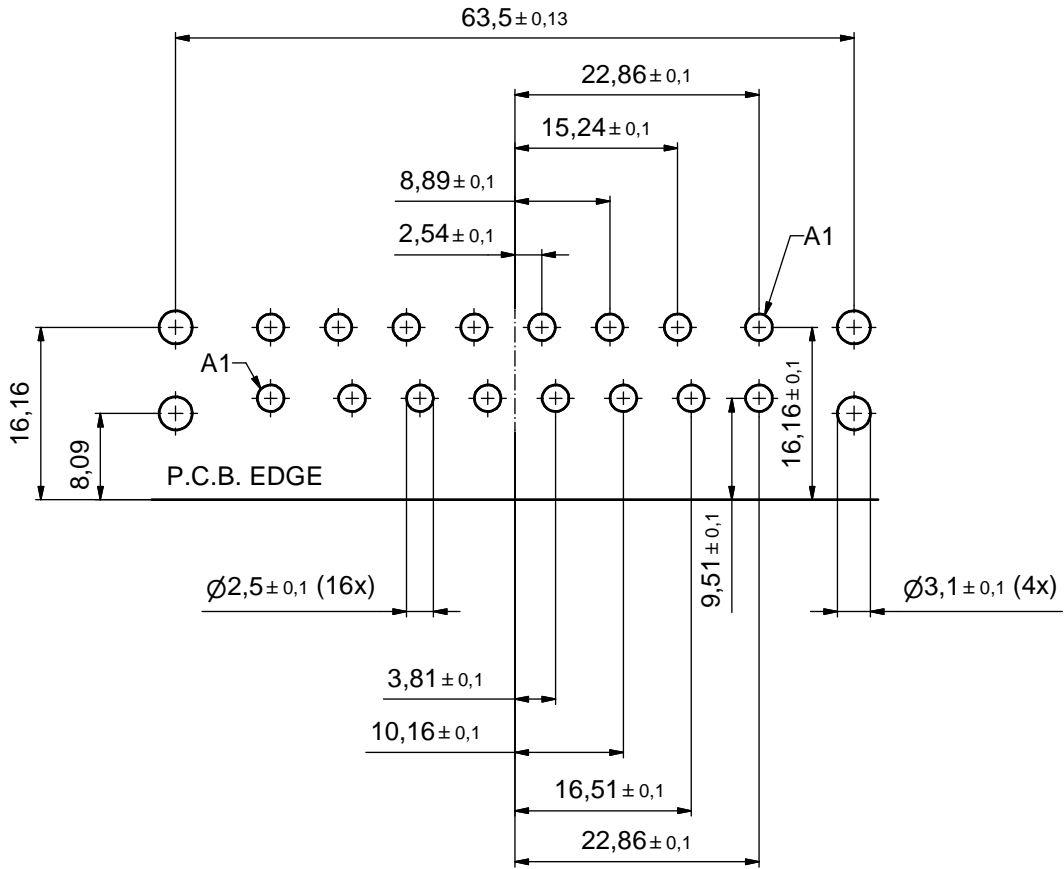
NOTES:

1. METALSHIELDS: STEEL; min. 315µm TIN over 40-80µm NICKEL
2. INSULATORS: PBT GF UL 94 V-0, GREEN
3. HIGH POWER CONTACTS 20A: COPPER ALLOY
PLATING MATING AREA: 8µm HARD GOLD over min. 50µm NICKEL
PLATING TERMINATION SIDE: 160-240µm TIN over 80µm NICKEL
4. METAL BRACKET: ZINC DIE CAST; 300µm COPPER/40-120µm NICKEL/120-200µm TIN
5. THREADED INSERT: COPPER ALLOY; min. 200µm TIN over 80µm NICKEL
6. PCB-SNAP: COPPER ALLOY; min. 200µm TIN over 80µm NICKEL
PCB-HOLE: $\varnothing 3,1 \pm 0,1$ mm; PCB-THICKNESS: 1,6mm
7. P.C.B. HOLE DRILLINGS ON SHEET 2
8. MAXIMUM TORQUE VALUE FOR THREAD: 6 in.LB
9. CONNECTOR IS PART MARKED: **13-001653 CONEC ABC**

Directive 2002/95/EC
RoHS
Compliant

APPROVAL # FREIGABE # DEBLOCAGE # AUTORIZACION # APPROVAL	
CUSTOMER APPROVAL DATE:	
NAME:	TITLE:
COMPANY NAME:	
APPROVAL # FREIGABE # DEBLOCAGE # AUTORIZACION # APPROVAL	

DO NOT ALTER CAD DRAWING BY HAND				tolerance	ISO 2768-m	dim. in mm	scale:		2:1	
				material:			see notes			
THIS DRAWING MAY NOT BE COPIED OR REPRODUCED IN ANY WAY AND MAY NOT BE PASSED ON TO A THIRD PARTY WITHOUT WRITTEN PERMISSION. OWNERSHIP AND COPYRIGHT OF CONEC GmbH				date	name	title:				
				drawn	14.11.2008	Sonnenberg	D-SUB COM. DUAL PORT			
				appd.	14.11.2008	Koch	19,05mm / Male 8W8P reverse / Male 8W8P			
				norm			with threaded insert, metal bracket, snap			
a Origin				d-old		dwg no:		Inventor 10	DIN-A3	
				rev. description		date	part no:		13K1A2669	sh: 1
CONEC										
								part no:		13-001653



APPROVAL # FREIGABE # DEBLOCAGE # AUTORIZACION # APPROVAL	
CUSTOMER APPROVAL DATE:	
NAME:	TITLE:
COMPANY NAME:	
APPROVAL # FREIGABE # DEBLOCAGE # AUTORIZACION # APPROVAL	

THIS DRAWING MAY NOT BE COPIED OR REPRODUCED IN ANY WAY, AND MAY NOT BE PASSED ON TO A THIRD PARTY WITHOUT WRITTEN PERMISSION. OWNERSHIP AND COPYRIGHT OF CONEC GmbH			
DO NOT ALTER CAD DRAWING BY HAND			
rev.	description	date	name
a	Origin		

tolerance		 dim. in mm
ISO 2768-m		
date	name	
drawn	14.11.2008	Sonnenberg
appd.	14.11.2008	Koch
norm		
d-old		

scale:	3:1	
material:	see sheet 1	
title:		
P.C.B. HOLE DRILLINGS D-SUB Combination Dual Port 19,05mm Male 8W8P reverse / Male 8W8P		
dwg no:	Inventor 10	DIN-A3
	13K1A2669	sh: 2
part no:	see sheet 1	