

**NOTES:**

1. METAL SHELLS: STEEL; min. 315µm TIN over 40-80µm NICKEL
2. INSULATORS: PBT GF UL 94 V-0, GREEN
3. HIGH POWER CONTACTS 20A: COPPER ALLOY  
PLATING MATING AREA: 8µm HARD GOLD over min. 50µm NICKEL  
PLATING TERMINATION SIDE: 160-240µm TIN over 80µm NICKEL
4. METAL BRACKET: ZINC DIE CAST; 300µm COPPER/40-120µm NICKEL/120-200µm TIN
5. THREADED INSERT: COPPER ALLOY; min. 200µm TIN over 80µm NICKEL
6. PCB-SNAP: COPPER ALLOY; min. 200µm TIN over 80µm NICKEL  
PCB-HOLE:  $\varnothing 3,1 \pm 0,1$ mm; PCB-THICKNESS: 1,6mm
7. P.C.B. HOLE DRILLINGS ON SHEET 2
8. MAXIMUM TORQUE VALUE FOR THREAD: 6 in.LB
9. CONNECTOR IS PART MARKED: **13-001643 CONEC ABC**

Directive 2002/95/EC  
RoHS Compliant

APPROVAL # FREIGABE # DEBLOCAGE # AUTORIZACION # APPROVAL

CUSTOMER APPROVAL DATE:

NAME: TITLE:

COMPANY NAME:

APPROVAL # FREIGABE # DEBLOCAGE # AUTORIZACION # APPROVAL

THIS DRAWING MAY NOT BE COPIED OR REPRODUCED IN ANY WAY AND MAY NOT BE PASSED ON TO A THIRD PARTY WITHOUT WRITTEN PERMISSION. OWNERSHIP AND COPYRIGHT OF CONEC GmbH

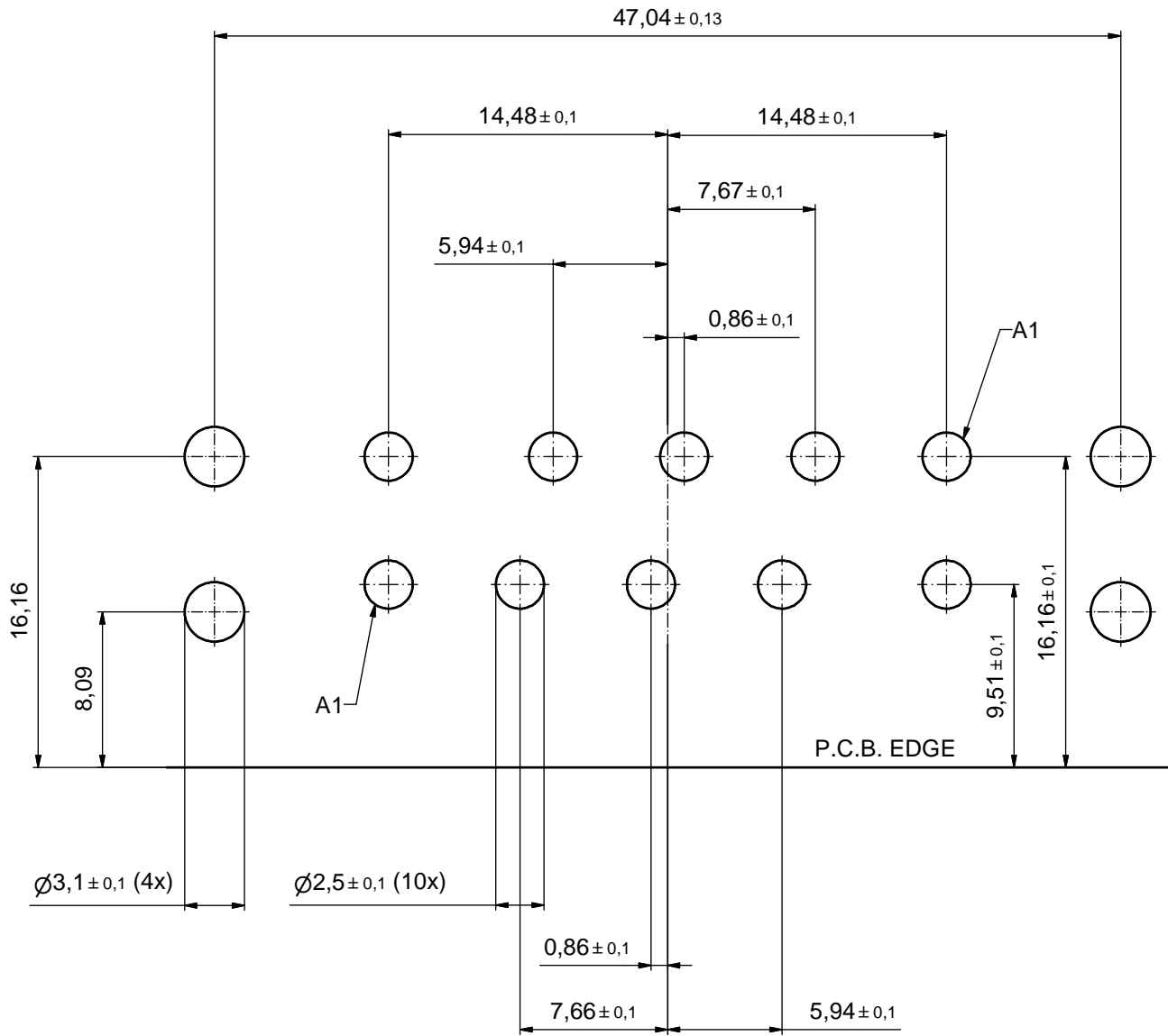
DO NOT ALTER CAD DRAWING BY HAND

rev.	description	date	name
a	Origin		

tolerance	ISO 2768-m	dim. in mm	
date	14.11.2008	name	Sonnenberg
drawn	14.11.2008	name	Koch
appd.		norm	
		d-old	

**CONEC**

scale:	2:1	
material:	see notes	
title:	D-SUB COM. DUAL PORT 19,05mm / Male 5W5P reverse / Male 5W5P with threaded insert, metal bracket, snap	
dwg no:	Inventor 10	DIN-A3
	13K1A2668	sh: 1
part no:	13-001643	



APPROVAL # FREIGABE # DEBLOCAGE # AUTORIZACION # APPROVAL	
CUSTOMER APPROVAL DATE:	
NAME:	TITLE:
COMPANY NAME:	
APPROVAL # FREIGABE # DEBLOCAGE # AUTORIZACION # APPROVAL	

THIS DRAWING MAY NOT BE COPIED OR REPRODUCED IN ANY WAY, AND MAY NOT BE PASSED ON TO A THIRD PARTY WITHOUT WRITTEN PERMISSION. OWNERSHIP AND COPYRIGHT OF CONEC GmbH

DO NOT ALTER CAD DRAWING BY HAND

rev.	description	date	name
a	Origin		

tolerance ISO 2768-m		
date	name	
drawn 14.11.2008	Sonnenberg	
appd. 14.11.2008	Koch	
norm		
d-old		

**CONEC** <sup>®</sup>

scale:	4:1	
material:	see sheet 1	
title:	<b>P.C.B. HOLE DRILLINGS</b> D-SUB Combination Dual Port 19,05mm Male 5W5P reverse / Male 5W5P	
dwg no:	Inventor 10	DIN-A3
	13K1A2668	sh: 2
part no:	see sheet 1	