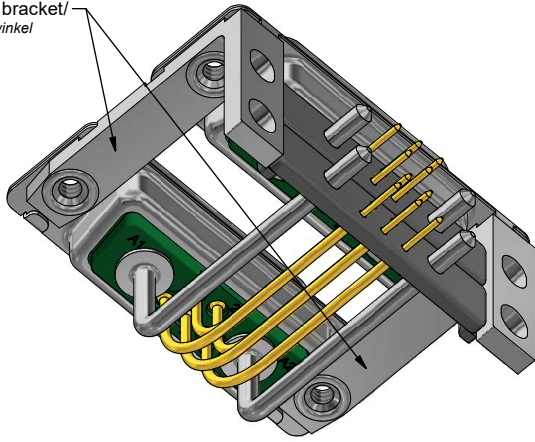
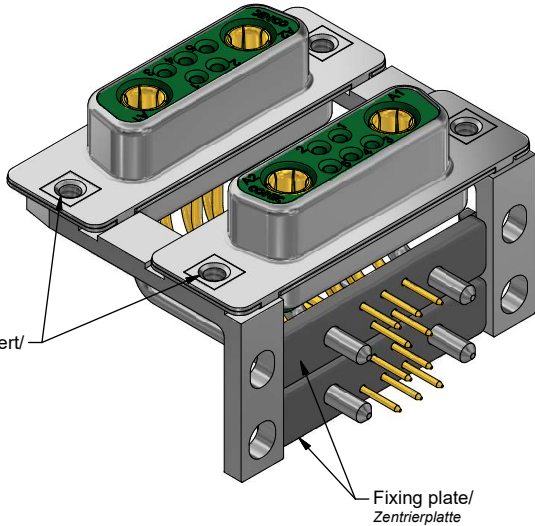


Metal bracket/
Metallwinkel



Threaded insert/
Gewindeinsatz



Fixing plate/
Zentrierplatte

**Technical specification/
Technische Daten:**

Dielectric withstanding voltage/
Spannungsfestigkeit: 1000 V, 50 Hz 1 min.

Current rating/
Strombelastbarkeit: Signal contact / 7,5 A (UL, VDE)
Signalkontakt: 5 A (CSA)
High power contact/ 20 A
Hochstromkontakte:

Insulation resistance/
Isolationswiderstand: $\geq 5 \text{ G}\Omega$

Temperature range/
Temperaturbereich: - 55 °C ... + 125 °C

Mating cycles/
Steckzyklen: Quality class 3 = 50
Gütestufe 3

**Materials/
Werkstoffe:**

Signal contact/
Signalkontakt: Cu alloy, Au over Ni

High power contact/
Hochstromkontakt: Cu alloy, mating area/
Steckbereich Au over Ni
termination side/
Anschluss Seite Sn over Ni

Insulator/
Isolierkörper: PBT GF UL 94 V-0, green/grün

Shell/
Gehäuse: Steel, Sn over Ni

Threaded insert/
Gewindeinsatz: Cu alloy, Sn over Ni

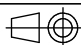
Metal bracket/
Metallwinkel: GD-Zn, Sn over Ni

Fixing plate/
Zentrierplatten: PBT GF UL 94 V-0

**Installation specification/
Montagedaten:**

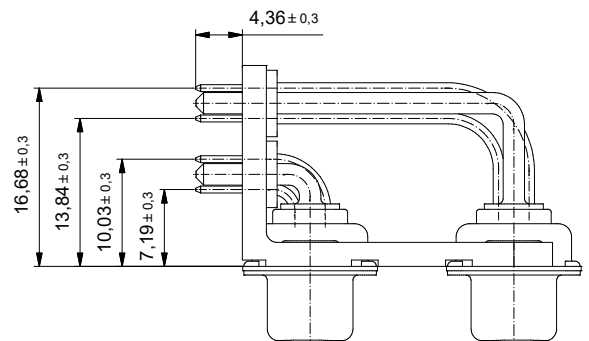
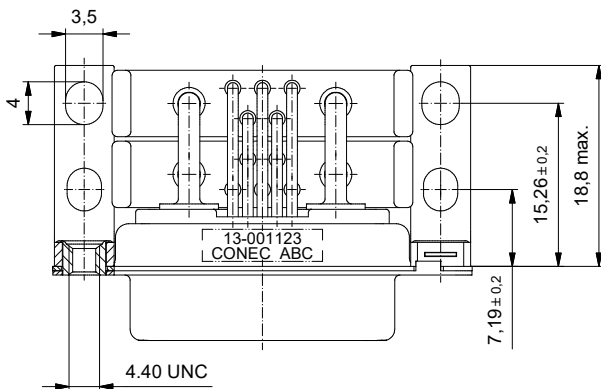
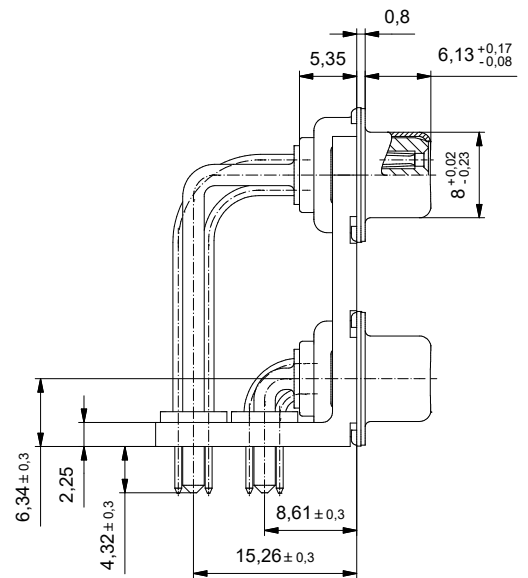
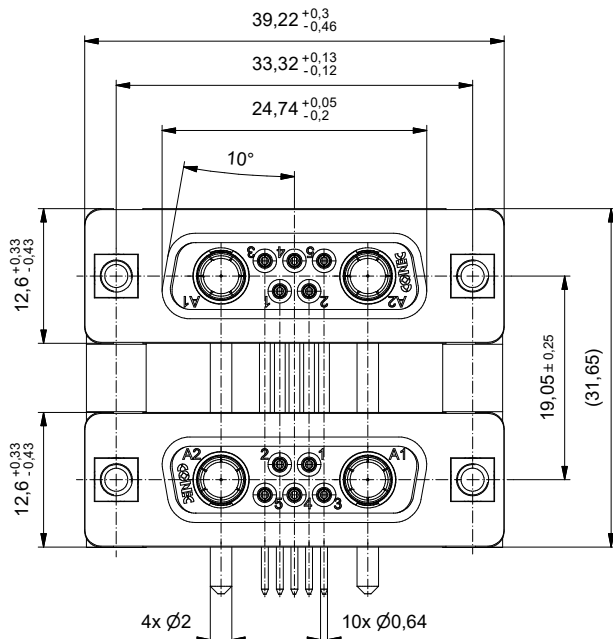
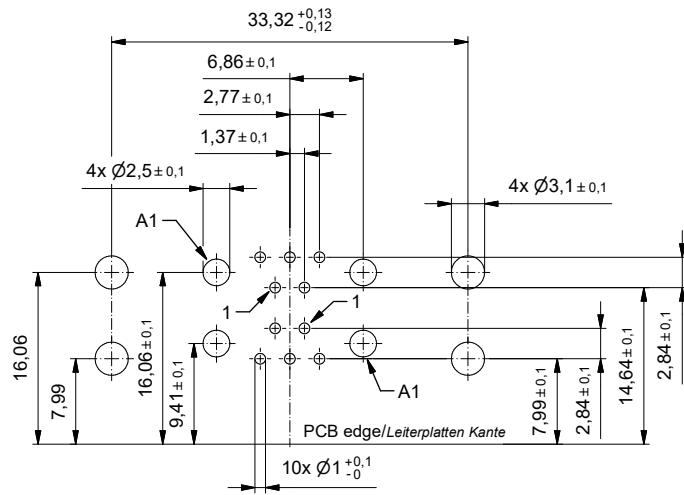
Recommended torque value for thread/
Empfohlenes Drehmoment für Gewinde: max. 6 in.LB/
max. 67 Ncm

PCB-hole drillings/
Leiterplattenbohrbild: see sheet 2/
siehe Seite 2

Part no. / Part marked/ Art.-Nr. / Bedruckung:	13-001123	Contact plating/ Kontakt Veredelung:	Signal contact/ Signalkontakt: gold flash over nickel/ Gold über Nickel	High power contact 20A/ Hochstromkontakt 20A: plating, mating area/ Veredelung, Steckbereich: gold flash over nickel Gold über Nickel plating, termination side/ Veredelung, Anschluss Seite: tin over Nickel Zinn over Nickel
Index:	a Original	Scale/Maßstab:	2:1	 dim. in mm D-SUB Dual Port Female 7W2S reverse / Female 7W2S 19,05 mm with threaded insert , metal bracket and fixing-plate D-SUB Dual Port Buchse gedreht 7W2S/ Buchse 7W2S 19,05 mm mit Gewindeinsatz, Metallwinkel und Zentrierplatte dwg no / Z.-nr.: 13K1A6479 DIN-A3 1 / 2
RoHS compliant/ konform				

The reproduction, distribution and sale of this document as well as the communication of its contents to others without express authorization is prohibited. Offenders will be held liable for the payment of damages. We reserve the right to withdraw advertising space at any time without notice. Inquiries and orders should be sent to the publisher.

PCB hole drillings
(PCB top side)
Leiterplattenbohrbild
(Leiterplatten Oberseite)



Index: a Original	Scale/Maßstab: 2:1		dim. in mm	D-SUB Dual Port Female 7W2S reverse / Female 7W2S 19,05 mm with threaded insert , metal bracket and fixing-plate	DIN- A3
			Date/Datum	Name	
RoHS compliant/konform			drawn/ps 27.06.2023	Lehmenkühler	dwg no / Z.-nr.: 13K1A6479
			appd./gepr. 28.06.2023	Henneboel	

The reproduction, distribution and sale of this document as well as the communication of its contents to others without express authorization is prohibited. Offenders will be held liable for the payment of damages. We reserve the right to withdraw from circulation and/or to destroy copies of unauthorized publications.